

QUICK START GUIDE

INSTALLING THE POLE MOUNT

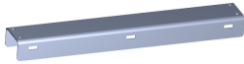


ONTO THE ENVIRONMENTAL ENCLOSURE

MODEL 8537

This guide will help you quickly install the Pole Mount (801844) for Environmental Enclosure Model 8537.

Unpacking the Pole Mount (801844) for Environmental Enclosure (8537)





1. Unpack the Pole Mount (801844) for Environmental Enclosure (8537) and verify that all the items listed in the following table are present.
2. Contact [TSI](#) immediately if items are missing or broken.

Qty.	Item Description	Reference Picture
1	Vertical Bracket	
2	Horizontal Bracket	
4	¼ - 20 x 0.75" Button Head Screws	
8	¼" Washers	
4	¼ Locknut	
3	Hose Clamps 4" to 6 1/8"	

TSI and TSI logo are registered trademarks of TSI Incorporated. DustTrak is a trademark of TSI Incorporated.

Unpacking Hardware Kit Included in Environmental Enclosure (8537)

1. Unpack Hardware Kit included with Environmental Enclosure (8537) and verify that all items listed in the following table are present.
2. Contact [TSI](#) immediately if items are missing or broken.

Qty.	Item Description	Reference Picture
4	3/8" Washer	
4	3/8" – 16 x 0.75" Hex Bolt	
4	3/8" Sealing Washer	
4	3/8" Nut	

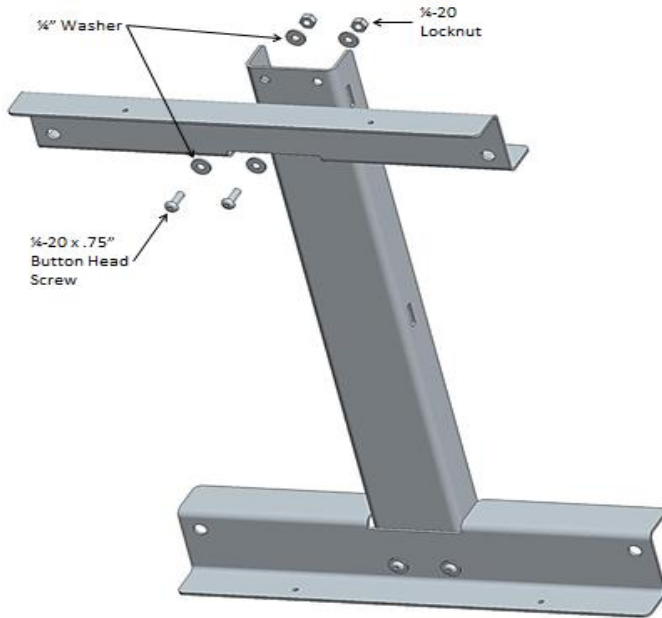
Tools Needed for Installation

- 5/32" Ball Driver
- Wrench with extension and 9/16" deep wall socket.
- 5/16" Nut Driver

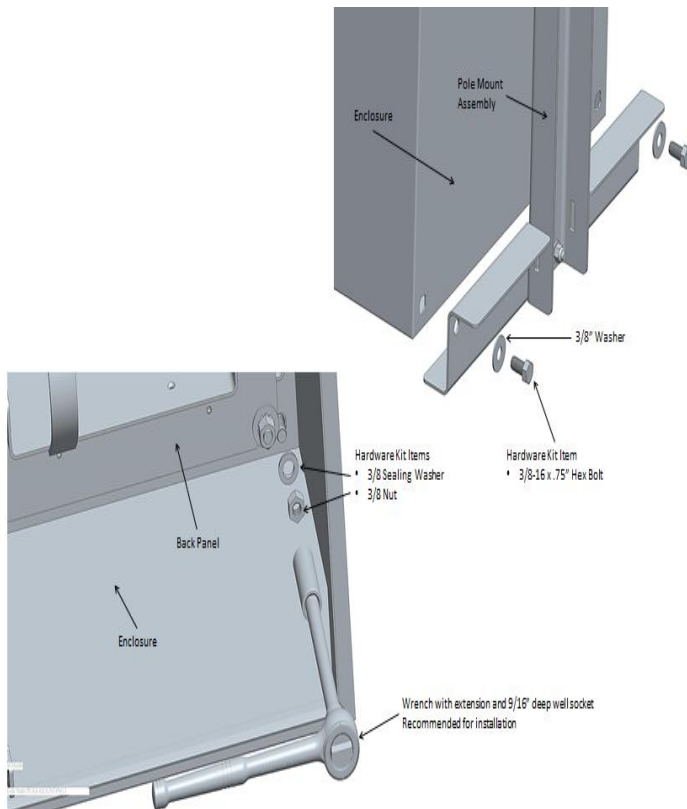


Assembling and Installing the Pole Mount (801844)

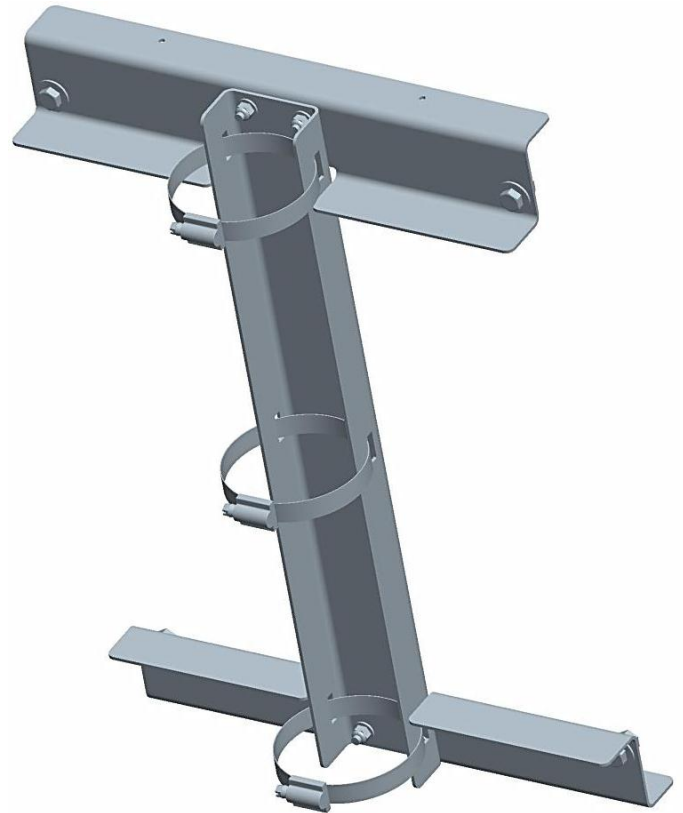
1. Attach the pole mount bracket to the cross bars using a 5/32" ball driver, 1/4" screws, washers, and locknuts.



2. Attach the pole mount to 4 locations on the environmental enclosure using the provided 3/8" screws, washers, and nuts.



3. Run hose clamps through the pole mount slot as shown. Leave the ends of the hose clamps disconnected (enclosure not shown). If pole diameter is not between 4" to 6-1/8", appropriate size hose clamps may be purchased at a local hardware store.



4. Position the enclosure and attached pole mount against pole at the desired height and tighten hose clamps using a 5/16" nut driver.

