



MSP Turbo™ Vaporizer

Model 2860PE



MSP's 2860PE Turbo™ Vaporizer was designed as a drop-in replacement for poorly performing DLI valves. This model has our state-of-the art Performance Enhanced (PE) atomizer with on-board flow control and can provide lower maintenance and higher concentrations.

Dimensions	236 mm x 81 mm x 89 mm (9.3 inch x 3.2 inch x 3.5 inch)
Weight	6.7lbs (3.0kg)
Fittings (on the unit)	
Carrier Gas Inlet	1/4 inch VCR male
Liquid Inlet	1/8 inch VCR male
Vapor Outlet	1/4 inch VCR female
Wetted Parts	SS 316, PEEK, PCTFE, Elgiloy®, FFKM, PTFE
Leak Integrity	$\leq 1 \times 10^{-9}$ Pa·m ³ /s Helium
Heater Power Requirements	220 V _{AC} , 60 Hz, 300W
Carrier Gas	Inert gas recommended
Max Carrier Gas Flow ¹	3.5 standard liters/min N ₂ at 80 psig 2.0 standard liters/min N ₂ at 50 psig
Max Liquid Flow ²	60 g/hr (H ₂ O or equivalent) 720 g/hr (TEOS or equivalent)
System Pressure Limit	150 psig
Compressed Air	90 to 110 psig
Temperature Range	40° C to 160° C 160° C to 200° C with use of air cooling (connections provided)
Temperature Sensor	2 type K thermocouples
Vaporizer Body	Vacuum tight chamber with multi-stage heat exchanger, SS 316 construction

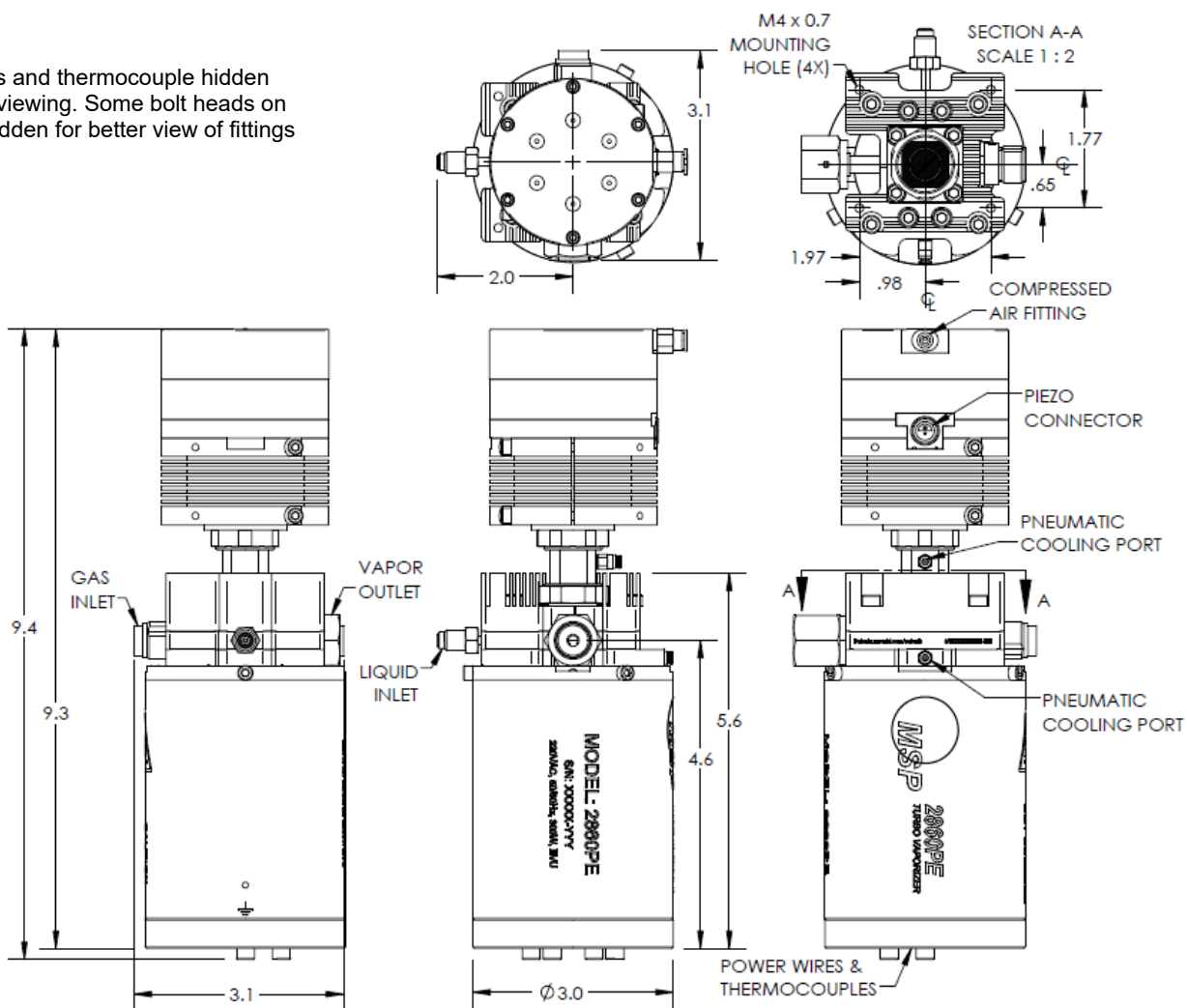
¹ Max Carrier Gas Flow Rate is adjustable; visit www.tsi.com/contact to request more information.

² Max. liquid flow is process dependent. The spec assumes a vaporizer temperature of 180° C or higher, N₂ carrier gas ≥ 4.5 SLPM, and pressure <50 Torr immediately downstream of the vaporizer.

MSP Turbo™ Vaporizer

Model 2860PE

Power wires and thermocouple hidden for ease of viewing. Some bolt heads on unit were hidden for better view of fittings



All specifications are subject to change without notification.

The MSP logo, TSI, and the TSI logo are registered trademarks of TSI Incorporated.



MSP - Visit our website www.tsi.com/msp for more information.

5910 Rice Creek Parkway, Suite 300
 Shoreview, Minnesota
 55126, U.S.A.
 Tel: 651.287.8100