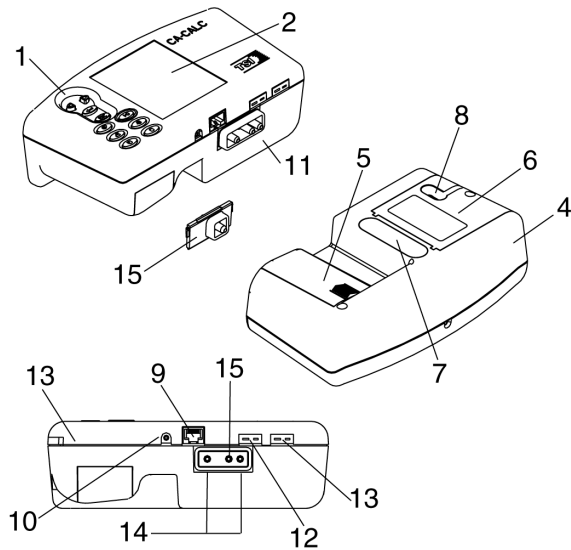


## Description of Main Components

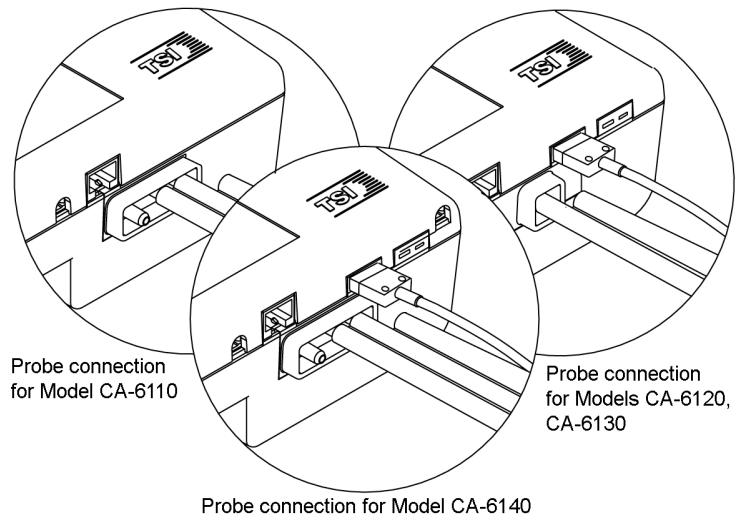


- |                    |   |
|--------------------|---|
| 1. Buttons         | 9. RS-232 interface connector   |
| 2. Display         | 10. AC power input connector  |
| 3. Top cover       | 11. Sample port*  |
| 4. Case bottom     | 12. Flue/stack thermocouple port*   |
| 5. Battery cover   | 13. Port for supply Air temperature probe*  |
| 6. Sensor cover    | 14. Optional draft measurement ports [left side (reference), right side (stack)]* |
| 7. Damping chamber | 15. Sample port Models CA-6120, CA-6130*  |
| 8. Gas vent        |   |
- \*For 11–15 see "Sample Probe Connections" for Model details.

CA-6100 Series CA-CALC™ Combustion Analyzer  
800-874-2811 (U.S. only) P/N 1980551 Rev. B



## Sample Probe Connections



Probe connection for Model CA-6110

Probe connection for Models CA-6120, CA-6130

Probe connection for Model CA-6140

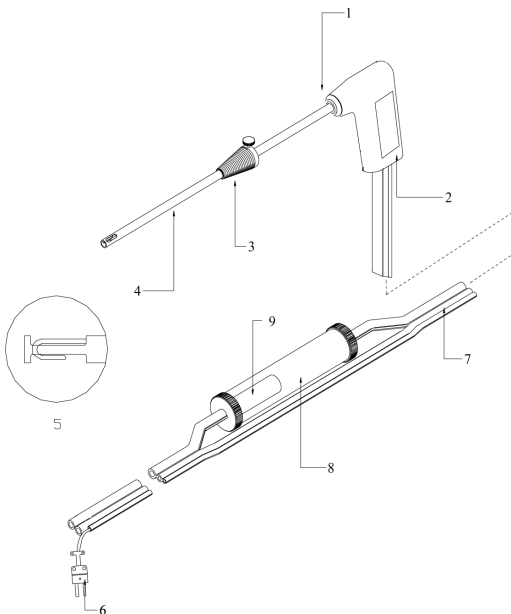
CA-6100 Series CA-CALC™ Combustion Analyzer  
800-874-2811 (U.S. only) P/N 1980551 Rev. B



## Sampling Probe Components

To avoid further condensation in the sensor cups, ensure the internal temperature of the instrument is at least ambient temperature. To verify this condition, cycle the instrument on, bypassing the baseline, then turn off the pump until the temperature on the display (without any external probes attached) reaches ambient temperature.

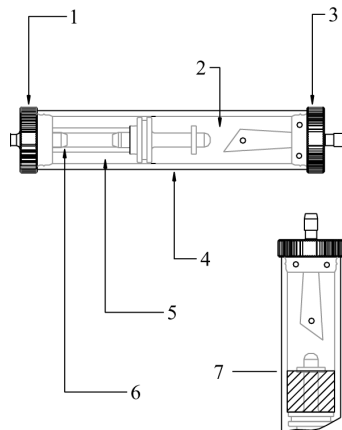
1. Tube retaining fitting (some models)
2. Probe handle
3. Position collar
4. Sample tube
5. Probe tip with thermocouple
6. Thermocouple connector (some models)
7. Flexible sample line
8. Water trap
9. Water trap filter



## Water Trap Maintenance

1. Remove the probe side end cap by pulling outward with a twisting motion.
2. Pour out the water.
3. Replace the end cap and re-install the trap.

**Important:** Make sure the water trap is oriented so that end-cap 1 below is toward the instrument.



1. Instrument side end-cap
2. First chamber
3. Probe side end-cap
4. Polycarbonate trap body
5. Second chamber
6. Plastic filter
7. Maximum water level

CA-6100 Series CA-CALC™ Combustion Analyzer  
800-874-2811 (U.S. only) P/N 1980551 Rev. B

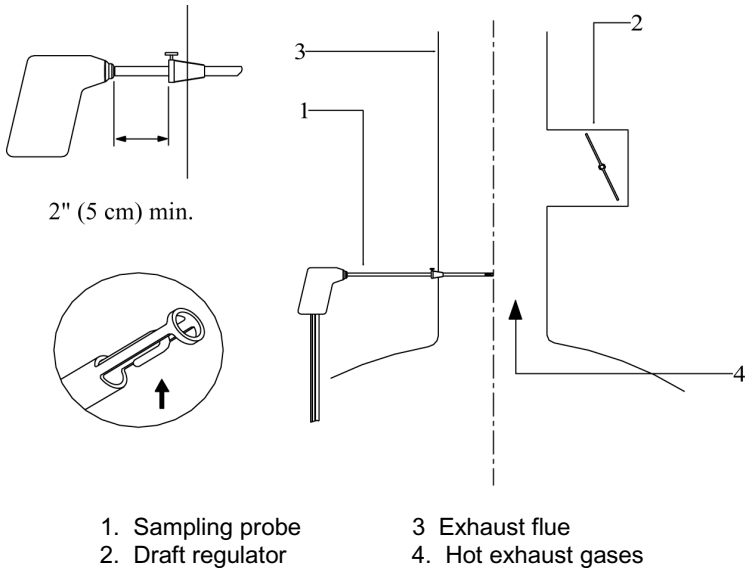


CA-6100 Series CA-CALC™ Combustion Analyzer  
800-874-2811 (U.S. only) P/N 1980551 Rev. B



## Using the Sampling Probe

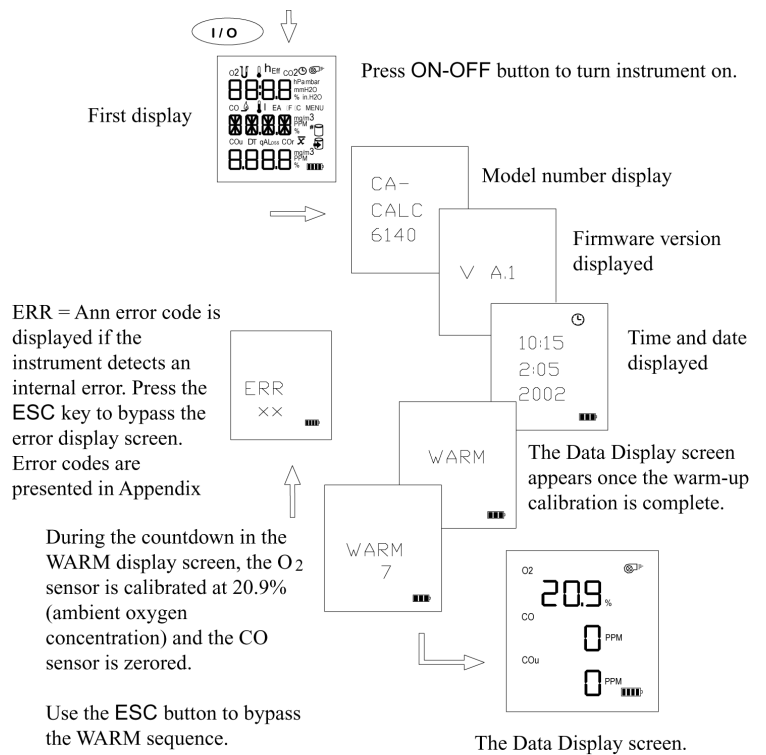
**Important:** Orient the sampling tube to ensure that the thermocouple tip is exposed directly to exhaust flow (see Figure 8 below).



CA-6100 Series CA-CALC™ Combustion Analyzer  
800-874-2811 (U.S. only) P/N 1980551 Rev. B



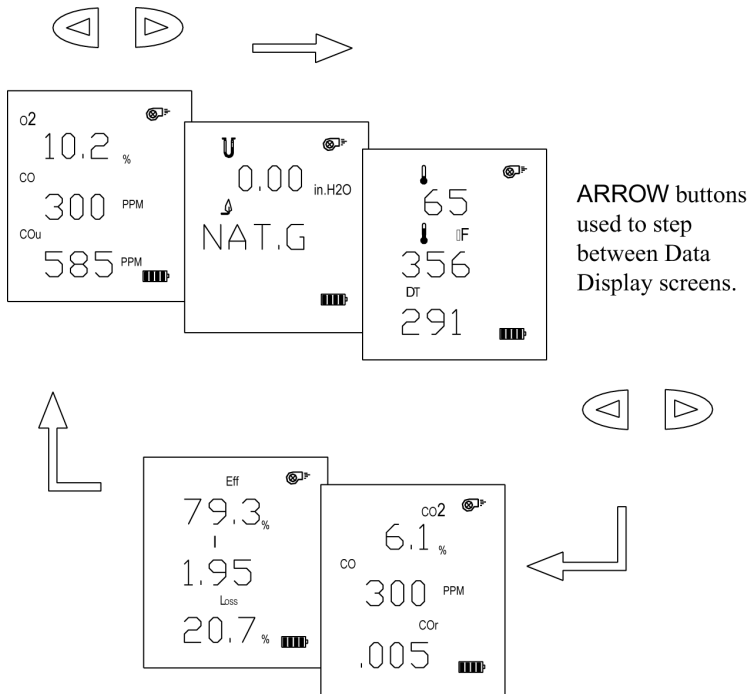
## Start-up Screens



CA-6100 Series CA-CALC™ Combustion Analyzer  
800-874-2811 (U.S. only) P/N 1980551 Rev. B



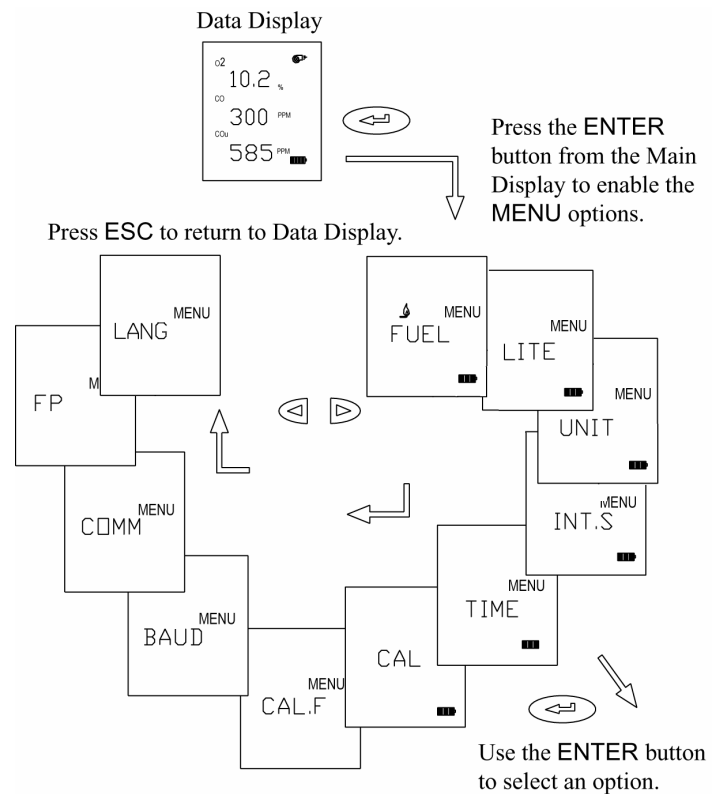
## Viewing Measurements and Calculations



CA-6100 Series CA-CALC™ Combustion Analyzer  
800-874-2811 (U.S. only) P/N 1980551 Rev. B



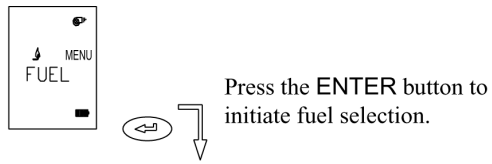
## Menu Screens



CA-6100 Series CA-CALC™ Combustion Analyzer  
800-874-2811 (U.S. only) P/N 1980551 Rev. B

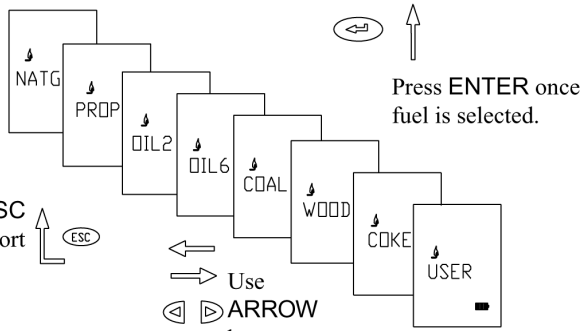


# Fuel Selection

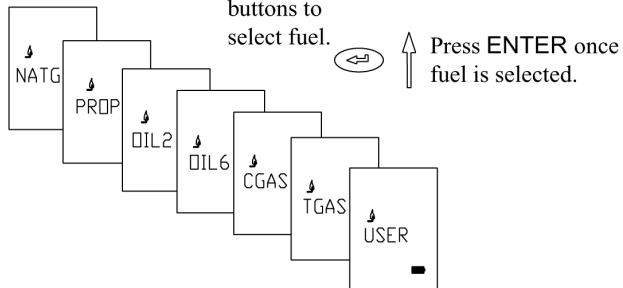


## U.S. Fuels

Press the **ESC** button to abort selection.



## Siebert Fuels



**CA-6100 Series CA-CALC™** Combustion Analyzer  
800-874-2811 (U.S. only) P/N 1980551 Rev. B



**CA-6100 Series CA-CALC™** Combustion Analyzer  
800-874-2811 (U.S. only) P/N 1980551 Rev. B



pg 9

cut

cut

**CA-6100 Series CA-CALC™** Combustion Analyzer  
800-874-2811 (U.S. only) P/N 1980551 Rev. B



**CA-6100 Series CA-CALC™** Combustion Analyzer  
800-874-2811 (U.S. only) P/N 1980551 Rev. B



pg 9