

SLIMLINE DISPLAY INTERFACE FOR FHC50/FHM10

P/N 800920

INSTALLATION INSTRUCTIONS

NOTE: This document serves as a guide for the installation of the 800920 FHS5 Slimline Display Interface for use with the Model FHC50 Fume Hood Controller or Model FHM10 Fume Hood Monitor. Please read these instructions thoroughly before beginning installation.

For wiring or other FHC50/FHM10 setup information, refer to the installation instructions included with that equipment.

Included Parts

Description	Qty
FHS5 Slimline Display Unit w/10 ft Cable	1
Mounting Template Sticker	1
Mounting Spacers (0.115"ID x 0.188"OD x 0.125"L)	2
Mounting Screws (#4 x 0.375"L)	2
Double-Sided Tape (0.75"W x 3"L)	1
Installation Instructions	1



FHS5 Installation

Select Mounting Location

1. Select the mounting location for the FHS5 Slimline Display. The display is typically mounted above the service controls (Figure 1).
2. Note that the FHC50 Controller or FHM10 Monitor will be mounted in some other location on the fume hood. The cable connector end of the FHS5 Slimline Display should be routed to the FHC50/FHM10 location and connected to the back of that unit (Figure 4). The length of the FHS5 Slimline Display cable is 10 feet (3 m).

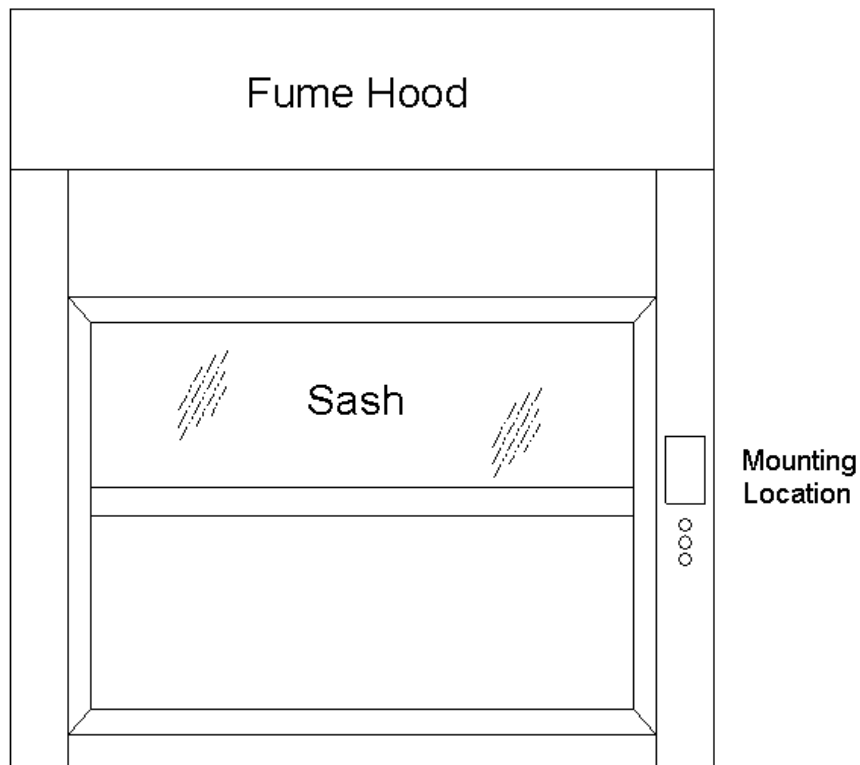


Figure 1: Mounting Location

Mounting with Cable Routed Inside Fume Hood Front Panel

The following steps are for mounting the FHS5 Slimline Display if the cabling is to be routed inside the front panel of the fume hood.

1. Remove the FHS5 Template Sticker backing and apply sticker to the fume hood front panel in the desired mounting location, making sure the Template Sticker is level and centered in the desired location (Figure 2).
2. Following the instructions on the template (using a center punch to mark hole locations prior to drilling), drill the designated holes in the fume hood front panel (Figure 2).
3. Attach the supplied spacers and mounting screws to the fume hood front panel (Figure 2).
4. Route the connector end of the cable on the FHS5 inside the front panel of the fume hood through the previously drilled hole (Figure 2).
5. Align the FHS5 on the mounting screws, push forward until flush with the fume hood, and slide the FHS5 down to secure in place (Figure 2).
6. Route the cable to the location of the FHC50 or FHM10 and connect the cable to the unit in the designated location (Figure 4).

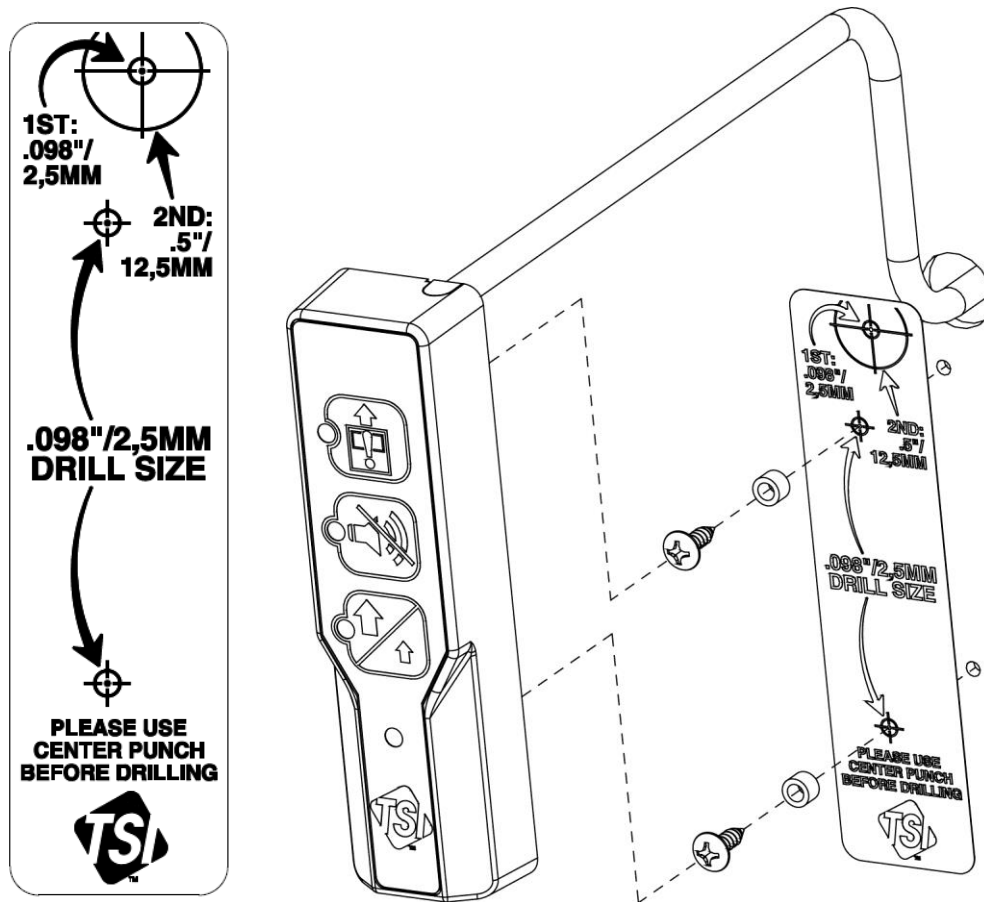


Figure 2: Mounting FHS5 with Cable Routed Inside the Fume Hood Panel

Mounting with Cable Routed Along Outside of Fume Hood Front Panel

The following steps are for mounting the FHS5 Slimline Display if the cabling is to be routed along the outside of the front panel of the fume hood.

1. Remove the FHS5 Template Sticker backing and apply sticker to the fume hood front panel in the desired mounting location, making sure the Template Sticker is level and centered in the desired location (Figure 3).
2. Following the instructions on the template (using a center punch to mark hole locations prior to drilling), drill the designated holes in the fume hood front panel (Figure 3). Since the cable is to be routed along the outside of the fume hood front panel, drilling the large hole for the cabling can be omitted.
3. Attach the supplied spacers and mounting screws to the fume hood front panel (Figure 3).
4. Break off the tab at the top of the FHS5 case, to allow the cabling to route straight up along the fume hood front panel (Figure 3).
5. Align the FHS5 on the mounting screws, push forward until flush with the fume hood, and slide the FHS5 down to secure in place (Figure 3).
6. Route the cable to the location of the FHC50 or FHM10 and connect the cable to the unit in the designated location (Figure 4).

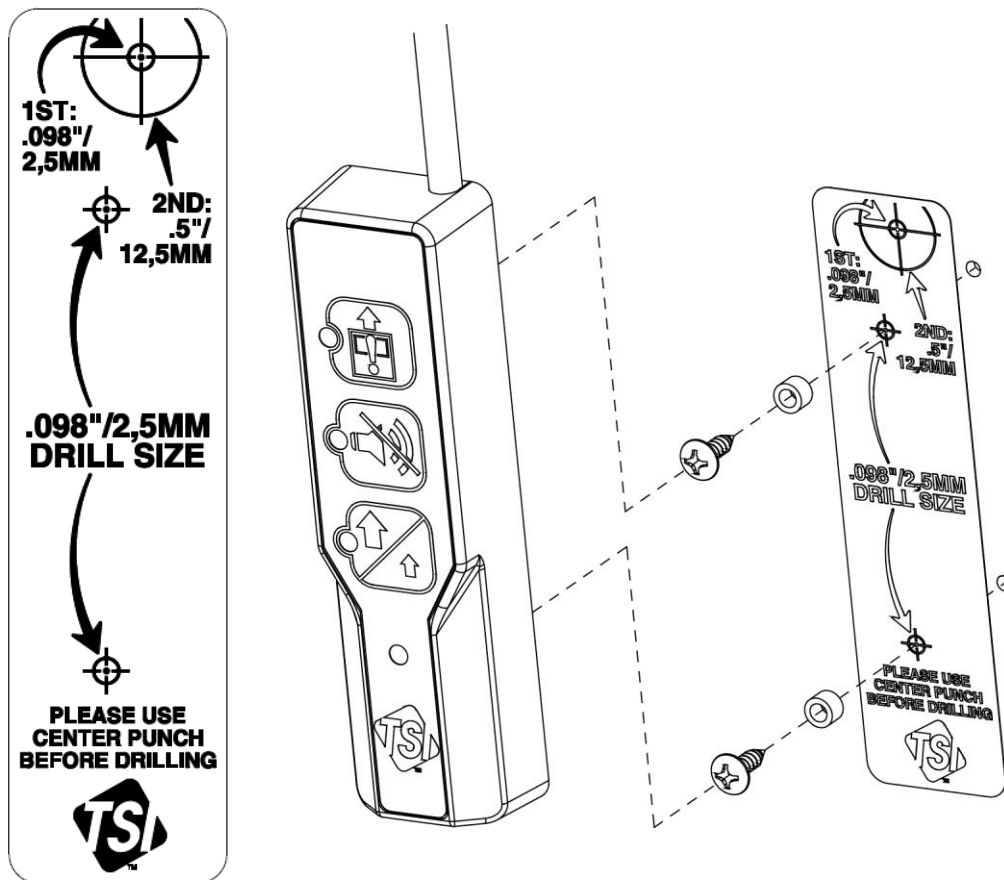


Figure 3: Mounting FHS5 with Cable Routed Inside the Fume Hood Panel

Alternative Mounting Using Double-Sided Tape

If drilling holes in the front panel of the fume hood is not practical or not desired, the FHS5 can be secured by using the supplied double-sided tape.

1. Break off the tab at the top of the FHS5 case, to allow the cabling to route straight up along the fume hood front panel (Figure 3).
2. Apply the double-sided tape to the recessed area on the back of the FHS5 case, and press in place at the desired location on the fume hood front panel.
3. Route the cable to the location of the FHC50 or FHM10 and connect the cable to the unit in the designated location (Figure 4).

FHS5 Cable Connection to FHC50 or FHM10

The connection of the FHS5 cable to the FHC50 Controller or FHM10 Monitor is shown below (Figure 4).

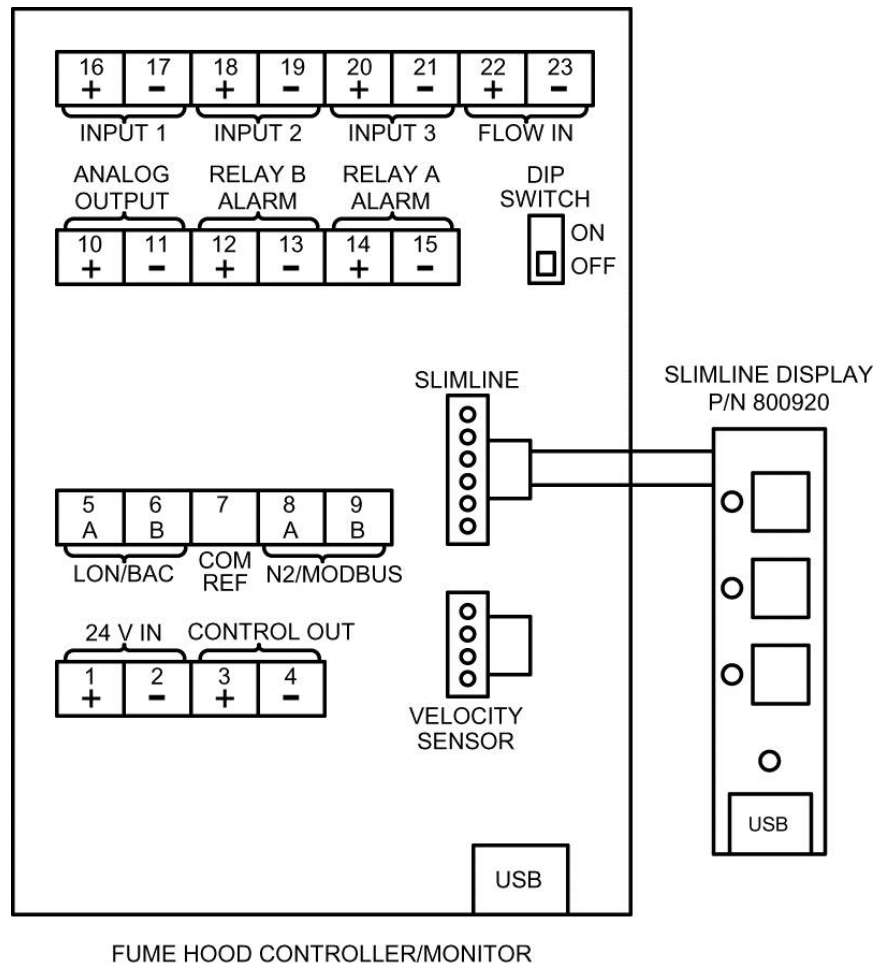


Figure 4: FHS5 Cable Connection to FHC50/FHM10



UNDERSTANDING, ACCELERATED

TSI Incorporated – Visit our website www.tsi.com for more information.

USA	Tel: +1 800 874 2811	India	Tel: +91 80 67877200
UK	Tel: +44 149 4 459200	China	Tel: +86 10 8219 7688
France	Tel: +33 1 41 19 21 99	Singapore	Tel: +65 6595 6388
Germany	Tel: +49 241 523030		

P/N 6003883 Rev. C ©2016 TSI Incorporated Printed in U.S.A.

