

# Fume Hood Sensor Averaging Venting Kit

## Model 8691-2



### Installation Instructions

This Sensor Averaging Venting Kit can be installed with all TSI® Fume Hood Face Velocity Controllers and Face Velocity Monitors.

### Preinstallation

Installation will be substantially easier if the side wall of the fume hood can be removed prior to Sensor Venting Kit installation. If the side wall cannot be removed, there is usually an access panel inside the fume hood that needs to be removed. This should allow enough room to maneuver the tubing.

### Parts List (Figure 1)

Description	Qty
T-fitting Assembly w/Sensor Housing	1
1½" ID Tubing	20 ft.
Extra-long Sensor Cable	1
Mounting Flanges (black)	2
One Bag with: <ul style="list-style-type: none"><li>One O-ring</li><li>Four screws</li><li>Four clamps</li><li>Two brackets</li><li>Two self-tapping nuts</li></ul>	1

### Installation

- 1) Select location of SENSOR ASSEMBLY, typically lying on top of the fume hood (Figure 4). SENSOR ASSEMBLY must be located to reference room air, within 15 ft of the controller. If using an existing velocity sensor, make sure to use O-ring to seal the side-wall sensor to the sensor housing and tighten down self-tapping nuts using the two posts on the sensor housing.
- 2) Determine MOUNTING FLANGE location. Use Figure 2 as a guide.
- 3) Drill 1½" hole through the fume hood liner at this location.

- 4) Mount the MOUNTING FLANGE to the MOUNTING PLATE using 2 #8-32 x 5/8-inch screws (Figure 3).

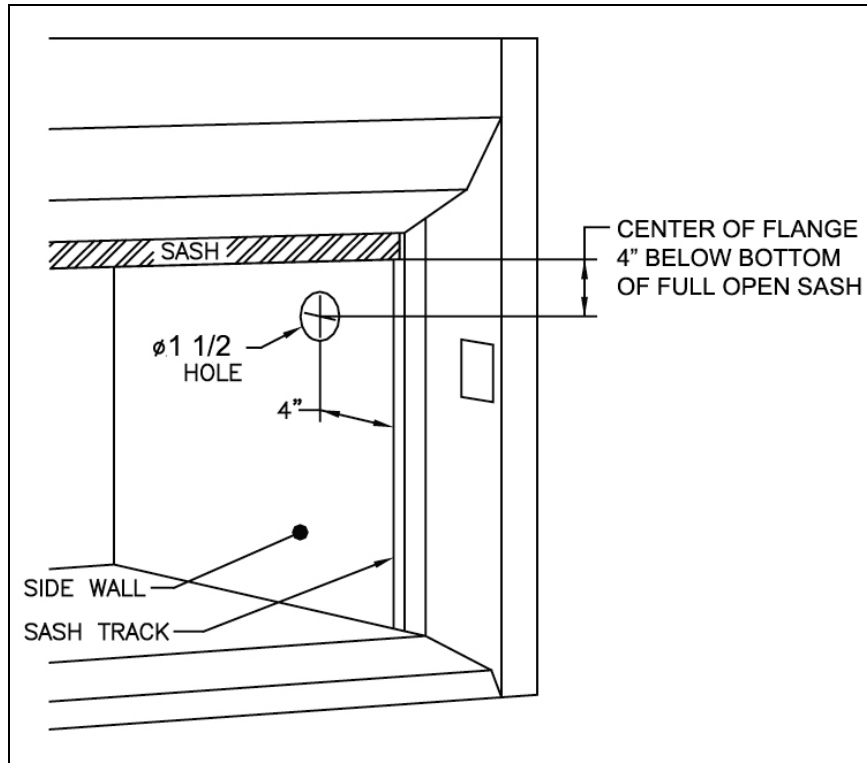
### WARNING

Both sides of tubing must be of equal length (Figure 4).

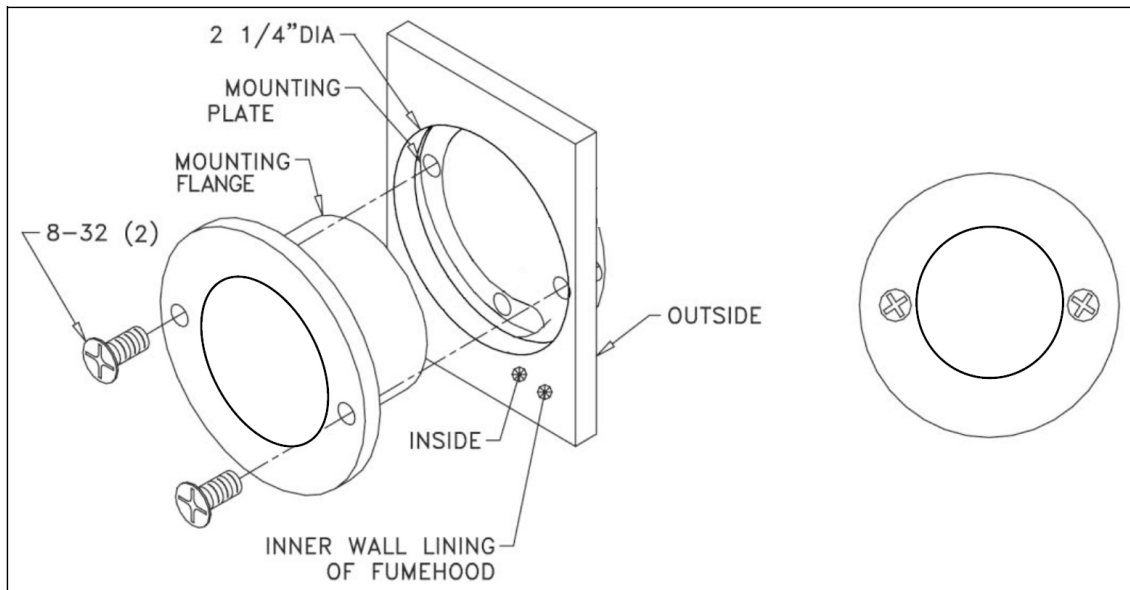
- 5) Cut tubing to fit between the MOUNTING FLANGE and the T FITTING. Slide 2 hose clamps onto tubing. Remove the T FITTING and insert one end of tubing onto the T FITTING. Push other end of tubing onto mounting flange. Secure tubing by tightening hose clamps.
- 6) Repeat Step 2 through Step 5 on the other side of the hood.
- 7) Loosely push T FITTING onto the SENSOR ASSEMBLY.



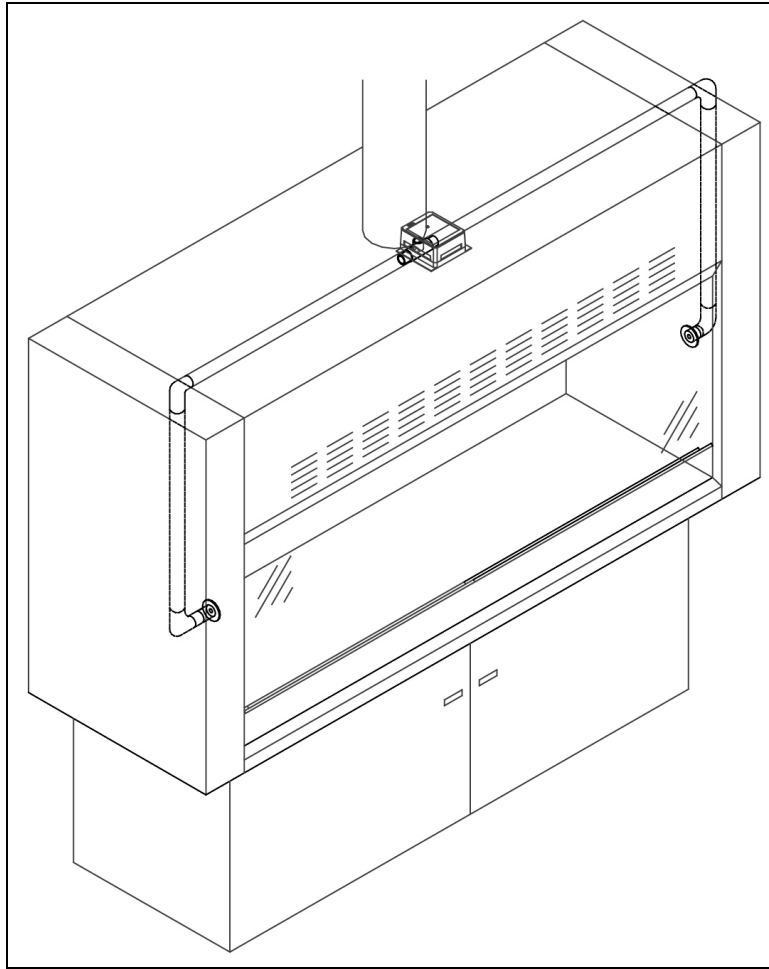
Figure 1: Parts



**Figure 2: Mounting Flange Location**



**Figure 3: Finished Assembly**



**Figure 4: Typical Installation**

---

## Sensor Assembly

If the Averaging Fume Hood Vent Kit is added to an existing fume hood controller, then the sensor assembly must be assembled.

**Step 1:** Open the Sensor Assembly Box, and screw the Sensor in.

**Step 2:** Close the Sensor Assembly Box. Screw the box together, using the #4-40 screw provided.

This concludes the installation of the Fume Hood Sensor Venting Kit. If you have questions, please call TSI® at (651) 490-2811 or 1-800-874-2811.

TSI and TSI logo are registered trademarks of TSI Incorporated in the United States and may be protected under other country's trademark registrations.



**Knowledge Beyond Measure.**

TSI Incorporated – Visit our website [www.tsi.com](http://www.tsi.com) for more information.

USA Tel: +1 800 680 1220  
UK Tel: +44 149 4 459200  
France Tel: +33 1 41 19 21 99  
Germany Tel: +49 241 523030

India Tel: +91 80 67877200  
China Tel: +86 10 8219 7688  
Singapore Tel: +65 6595 6388

