

# FLUSH-MOUNT BRACKET KIT FOR MODELS FHC50/FHM10

P/N 800926

INSTALLATION INSTRUCTIONS

## NOTE

This document serves as a guide for the installation of the 800926 Flush-Mount Bracket for use with the Model FHC50 Fume Hood Controller or Model FHM10 Fume Hood Monitor. Please read these instructions thoroughly before beginning installation.

For wiring or other FHC50/FHM10 setup information, refer to the installation instructions included with that equipment.

If using a Sidewall Velocity Sensor, the Sidewall Velocity Sensor and the Controller or Monitor must mount on the same side of the fume hood.

## Included Parts

Description	Qty
Flush-Mount Bezel	1
Mounting Template Sticker	1
Mounting Screws (6-32 x 1/2")	2
Grounding Clip	1
Installation Instructions	1



# Flush-Mount Bracket Installation

1. Select the mounting location for the FHC50 Controller or FHM10 Monitor. The Controller or Monitor is typically mounted above the service controls (Figure 1).

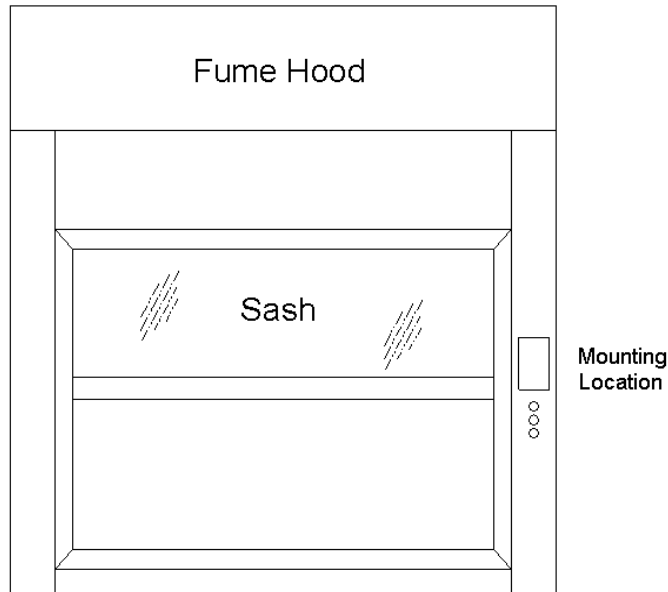


Figure 1: Mounting Location

2. Remove the Flush-Mount Template Sticker backing and apply sticker to the fume hood front panel in the desired mounting location, making sure the Template Sticker is level and centered in the desired location.
3. Following the instructions on the template (using a center punch to mark hole locations prior to drilling), drill the designated holes and cut an opening in the fume hood front panel (Figure 2).

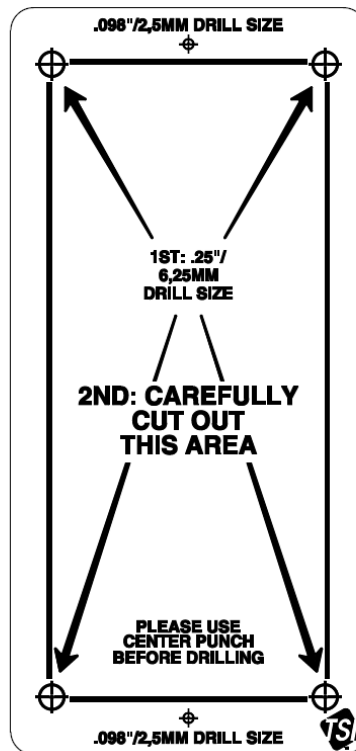
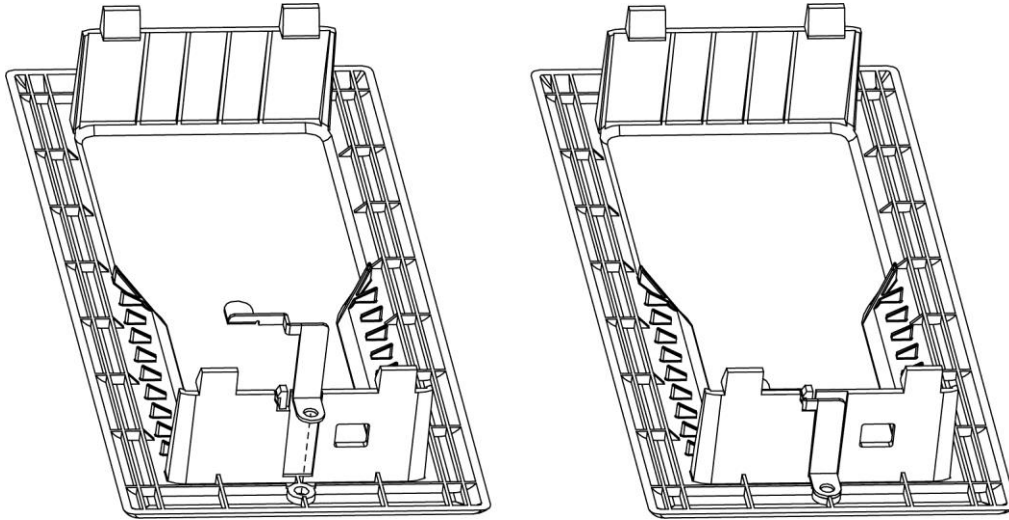


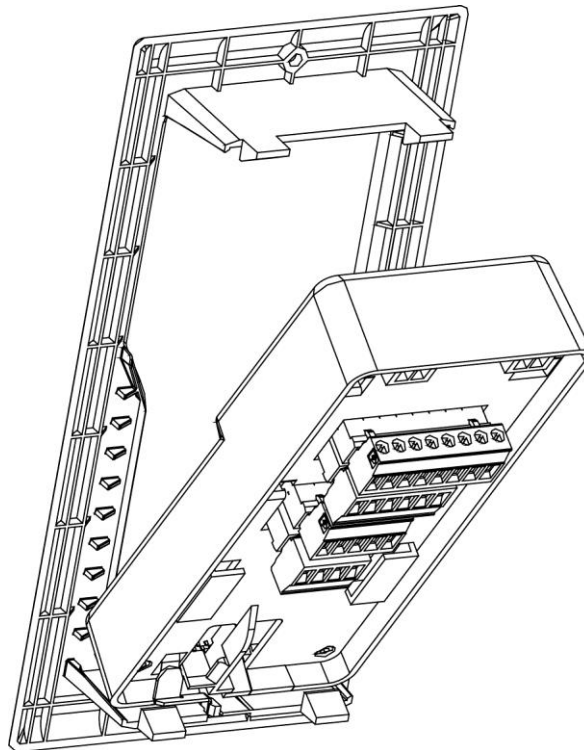
Figure 2: Flush-Mount Template Sticker

4. Verify that the Grounding Clip is attached to the Flush-Mount Bezel. Attach if needed (Figure 3).



**Figure 3: Grounding Clip and the Flush-Mount Bezel**

5. Wire the Model FHC50 Controller or FHM10 Monitor according to the installation instructions included with that unit.
6. Attach the FHC50 or FHM10 to the Flush-Mount Bezel by first sliding in the bottom of the case and then pivoting until it snaps into place (Figure 4).



**Figure 4: Attach FHC50 or FHM10 to the Flush-Mount Bezel**

7. Insert the Flush-Mount Bezel and FHC50/FHM10 assembly into the cutout mounting location and secure with the provided screws. (Figure 5).

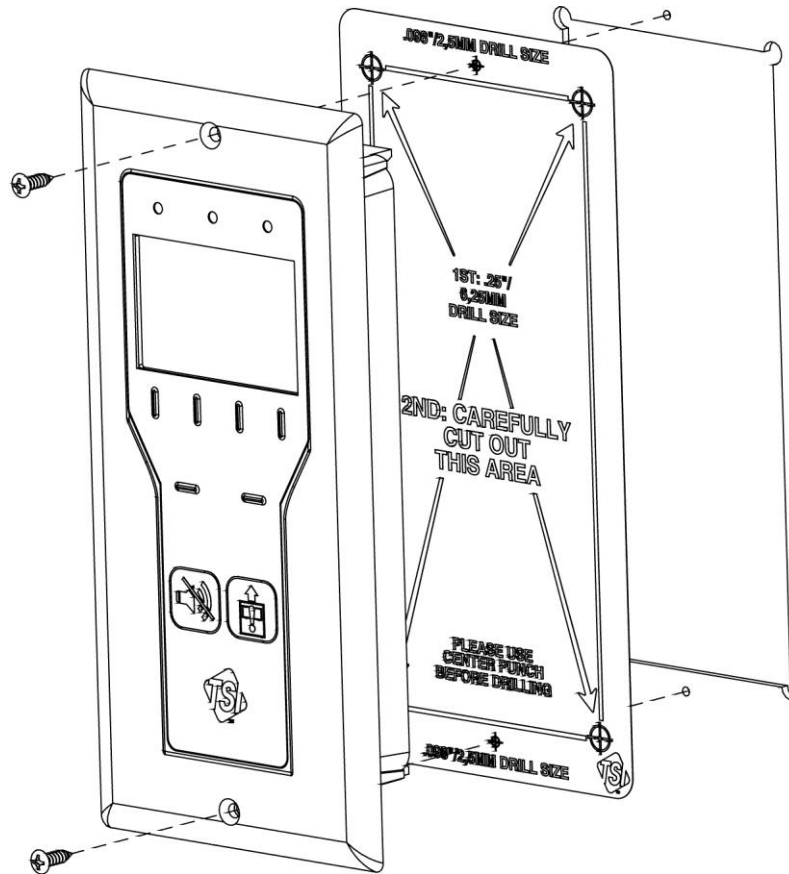


Figure 5: Final Mounting of Flush-Mount Assembly



UNDERSTANDING, ACCELERATED

TSI Incorporated – Visit our website [www.tsi.com](http://www.tsi.com) for more information.

USA Tel: +1 800 874 2811  
UK Tel: +44 149 4 459200  
France Tel: +33 1 41 19 21 99  
Germany Tel: +49 241 523030

India Tel: +91 80 67877200  
China Tel: +86 10 8219 7688  
Singapore Tel: +65 6595 6388

P/N 6004049 Rev. C ©2016 TSI Incorporated Printed in U.S.A.

