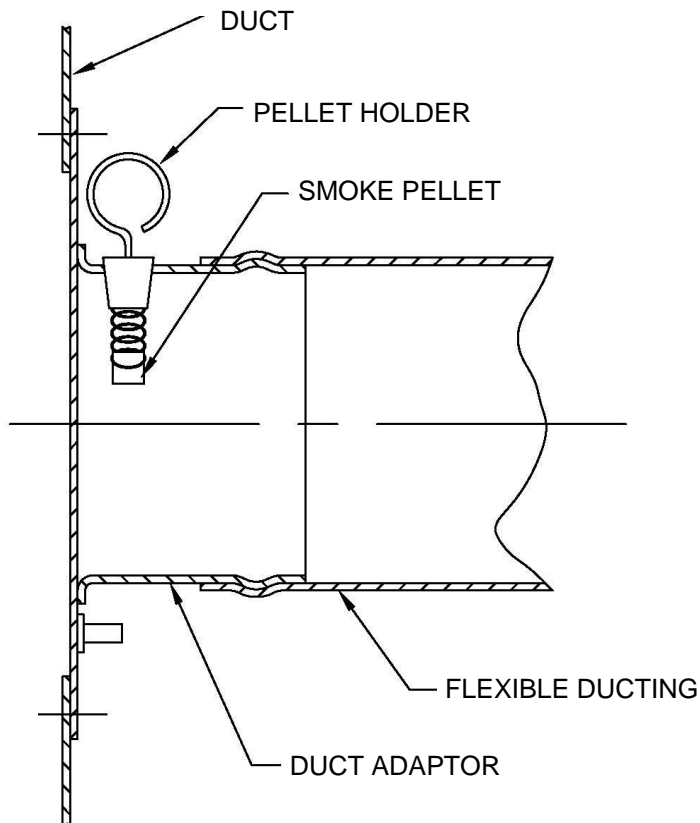


PROCEDURE FOR USING SMOKE PELLETS IN LEAKAGE TESTERS

APPLICATION NOTE AF-147 (A4)

Please review this procedure in conjunction with the user manual for your Leakage Tester.



As shown in the sketch a rubber bung is fitted into the hole in the duct adaptor which holds the wire coil.

When a smoke pellet is required to be used, remove the bung and fit a pellet into the wire coil as shown in the sketch.

Light the pellet and immediately plug into the hole in the duct adaptor and proceed with the test.

The pellet should emit dense white smoke for up to a minute.



Airflow Instruments, TSI Instruments Ltd.

Visit our website at www.airflowinstruments.co.uk for more information.

UK **Tel:** +44 149 4 459200 **Germany** **Tel:** +49 241 523030
France **Tel:** +33 4 91 11 87 64