



MSP Turbo™ Vaporizer

Model 2840PE



MSP Turbo™ Vaporizer 2840PE is one of our smallest vaporizers and has the state-of-the art PE atomizer with on-board flow control. This model has been optimized for low to mid flow applications; featuring an ultra-fast response time making it a great choice for ALD applications.

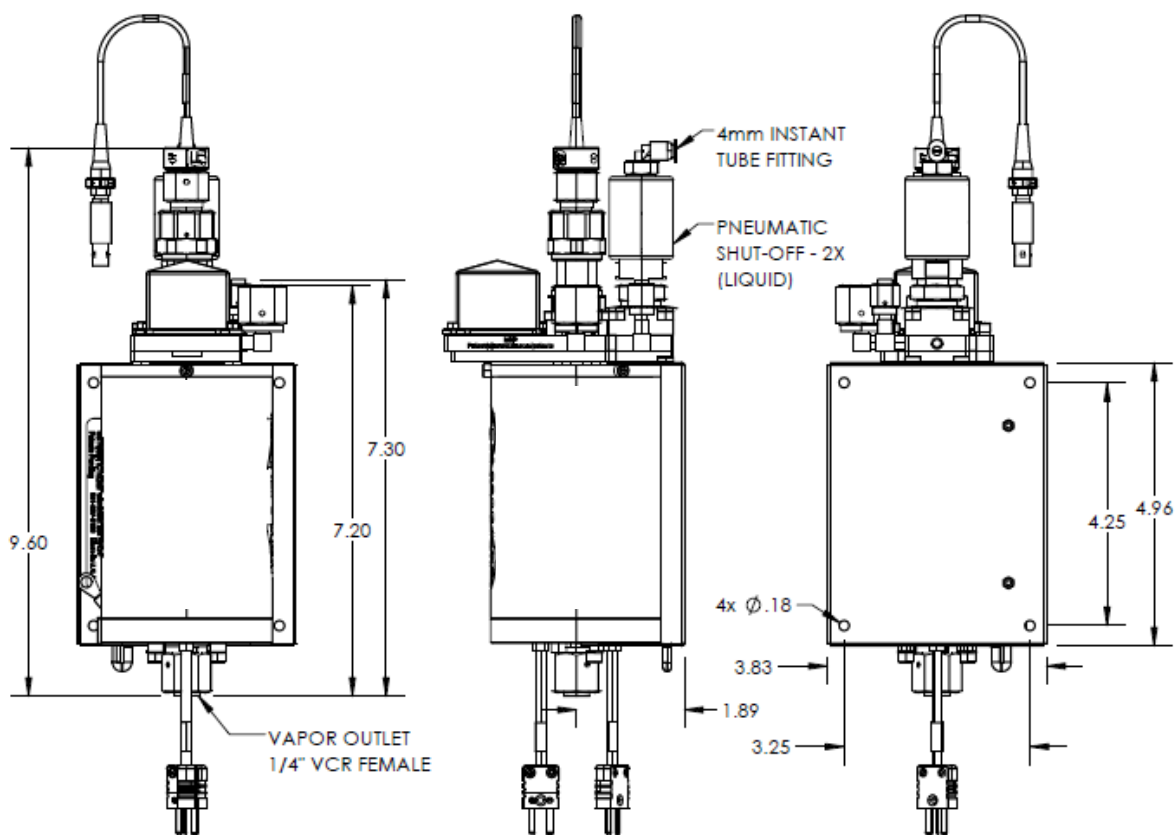
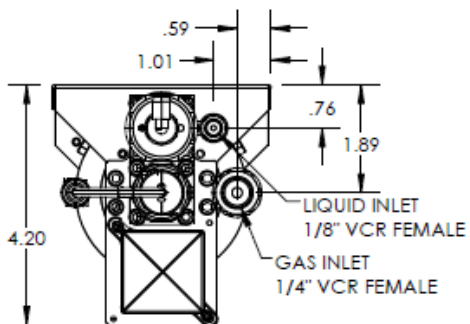
Dimensions	9.6 inch x 3.8 inch x 4.2 inch (244 mm x 97 mm x 107 mm)
Weight	7.2 lb (3.3 kg)
Fittings (on the unit)	
Carrier Gas Inlet	1/4 inch VCR female split nut
Liquid Inlet	1/8 inch VCR female
Vapor Outlet	1/4 inch VCR female
Compressed Air	4 mm instant tube fitting
Wetted Parts	SS 316, PEEK, PCTFE, Elgiloy®, FFKM, PTFE
Leak Integrity	$\leq 1 \times 10^{-9}$ Pa·m ³ /s (He)
Heater Power Requirements	110 V _{AC} , 60 Hz, 300W
Carrier Gas	Inert gas recommended
Max Carrier Gas Flow ¹	7.0 standard liters/min N ₂ at 80 psig 4.5 standard liters/min N ₂ at 50 psig
Max Liquid Flow ²	720 g/hr. (TEOS or equivalent) 60 g/hr (H ₂ O or equivalent)
System Pressure Limit	150 psig
Compressed Air	90 to 110 psig
Temperature Range	40° C to 160° C 160° C to 200° C with optional piezo cooling package
Temperature Sensor	2 type K thermocouples
Vaporizer Body	Vacuum tight chamber with multi-stage heat exchanger, SS 316 construction

¹ Max Carrier Gas Flow Rate is adjustable; visit www.tsi.com/contact to request more information.

² Max. liquid flow is process dependent. The spec assumes a vaporizer temperature of 180° C or higher, N₂ carrier gas ≥ 4.5 SLPM, and pressure <10 Torr immediately downstream of the vaporizer.

MSP Turbo™ Vaporizer

Model 2840PE



All specifications are subject to change without notification.

MSP, TSI and the TSI logo are registered trademarks of TSI Incorporated.



MSP - Visit our website www.tsi.com/msp for more information.

5910 Rice Creek Parkway, Suite 300
 Shoreview, Minnesota
 55126, U.S.A.
 Tel: 651.287.8100