

PRESSURA™ Model 8630-SM Room Pressure Monitor

Description

The Model 8630-SM PRESSURA™ Room Pressure Monitor is designed to measure the pressure differential in hospital rooms.

The 8630-SM measures the actual room pressure differential using TSI's unique, bi-directional pressure sensor. If the pressure differential is too great, too small, or the wrong direction, the Model 8630-SM will activate audible and visual alarms.

The Model 8630-SM features adjustable alarm delays to avoid nuisance alarms. When the room is unoccupied, the Model 8630-SM can be changed to no isolation mode, deactivating all alarms.

The Model 8630-SM easily integrates to the building management system using a low alarm relay and an analog output of the measured pressure differential.



Features

- Meets CDC Guidelines for Preventing the Transmission of Mycobacterium Tuberculosis in Health-Care Facilities, 1994 and AIA Guidelines requiring visual alarm
- Stand-alone room pressure monitor verifies system operation
- Direct pressure measurement provides continuous monitoring
- Audible and visual alarms warn staff of unsafe conditions
- Convenient keypad and display support local programming
- Passwords prevent unauthorized access to monitor functions

Selection Chart

	8630-SM
Positive, Negative, and No Isolation Modes	•
Low Alarm Contact	•
Key Switch Input	•
Analog Pressure Output	•

Items Included

- Digital interface module
- Through-the-wall pressure sensor
- Sensor cable, 25 ft (762 cm)
- Transformer, 120:24 VAC, 50 VA
- Transformer cable, 25 ft (762 cm)

Hardware Options

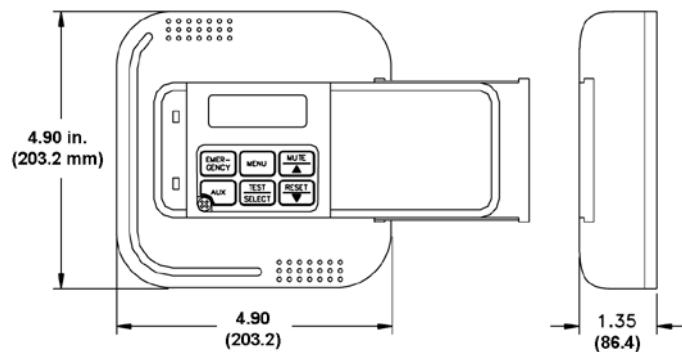
- Remote audible alarm
- Positive/negative/no isolation key switch

PRESSURA is a trademark of TSI Incorporated.



Digital Interface Module Specifications

Display Range	-0.20000 to +0.20000 in. H ₂ O (-50 to +50 Pa)
Display Resolution	5% of reading
Low Alarm Range	-0.19500 to +0.19500 in. H ₂ O (-48.5 to +48.5 Pa)
High Alarm Range	-0.19500 to +0.19500 in. H ₂ O (-48.5 to +48.5 Pa)
Low Alarm Contacts	SPST (NO)* Max current 5A Max voltage 150 VDC, 250 VAC Min switch load 10 mA, 5 VDC
Control Output	0 to 10 VDC
User Configurable Analog Output	Signal: 0 to 10V or 4 to 20 mA Range: -0.100 to +0.100 in. H ₂ O (-248.8 to +248.8 Pa) or -0.0100 to +0.0100 in. H ₂ O (-2.5 to +2.5 Pa)
Operating Temperature	32 to 120°F (0 to 48.8°C)
Input Power	24 VAC, 5 W max
Weight	0.7 lb (0.3 kg)

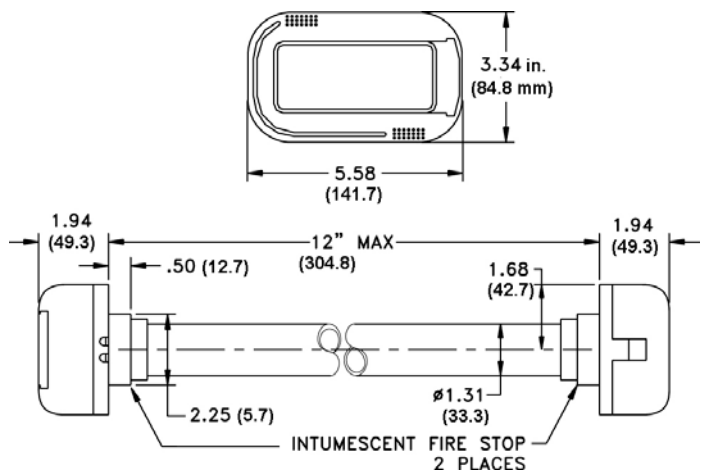


*Relays close to indicate alarm or loss of power.

Specifications subject to change without notice.

Sensor Specifications

Range	-0.20000 to +0.20000 in. H ₂ O (-50 to + 50 Pa)
Accuracy	±10% of reading ±0.00001 in. H ₂ O (±0.0025 Pa)
Resolution	5% of reading
Temp. Comp. Range	55 to 95°F (12.7 to 35°C)
Power Dissipation	0.16 W at 0 in. H ₂ O 0.20 W at 0.00100 in. H ₂ O (0.25 Pa)
Weight	0.2 lb (0.1 kg)



TSI Incorporated – 500 Cardigan Road, Shoreview, MN 55126 U.S.A

USA	Tel: +1 800 874 2811	E-mail: answers@tsi.com	Website: www.tsi.com
UK	Tel: +44 149 4 459200	E-mail: tsiuk@tsi.com	Website: www.tsiinc.co.uk
France	Tel: +33 491 11 87 64	E-mail: tsifrance@tsi.com	Website: www.tsiinc.fr
Germany	Tel: +49 241 523030	E-mail: tsigmbh@tsi.com	Website: www.tsiinc.de
India	Tel: +91 80 41132470	E-mail: tsi-india@tsi.com	
China	Tel: +86 10 8260 1595	E-mail: tsibeijing@tsi.com	
Singapore	Tel: +65 6595 6388	E-mail: tsi-singapore@tsi.com	



TRUST. SCIENCE. INNOVATION.

Contact your local TSI Distributor or visit our website www.tsi.com for more detailed specifications.