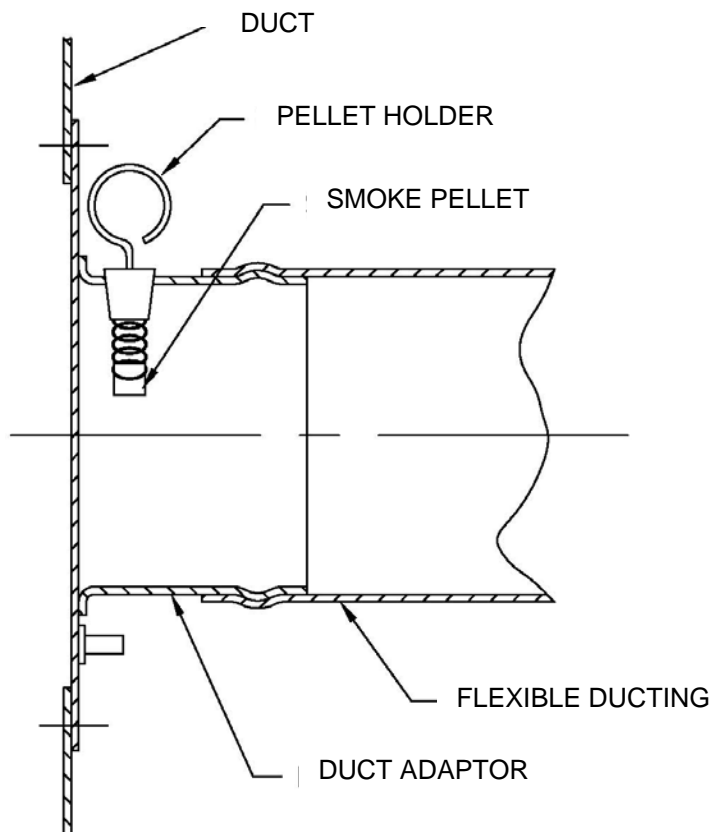


## Procedure for Using Smoke Pellets in Leakage Testers

Application Note AF-147

Please review this procedure in conjunction with the user manual for your Leakage Tester.



As shown in the sketch a rubber bung is fitted into the hole in the duct adaptor which holds the wire coil.

When a smoke pellet is required to be used, remove the bung and fit a pellet into the wire coil as shown in the sketch.

Light the pellet and immediately plug into the hole in the duct adaptor and proceed with the test.

The pellet should emit dense white smoke for up to a minute.



---

AIRFLOW Instruments, TSI Instruments Ltd.

Stirling Road, Cressex Park, High Wycombe,

Bucks, HP12 3RT, United Kingdom

**UK** Tel: +44 149 4 459200 E-mail: [info@airflowinstruments.co.uk](mailto:info@airflowinstruments.co.uk)

**France** Tel: +33 4 91 11 87 64 E-mail: [tsifrance@tsi.com](mailto:tsifrance@tsi.com)

**Germany** Tel: +49 241 523030 E-mail: [tsigmbh@tsi.com](mailto:tsigmbh@tsi.com)

Contact your local AIRFLOW Distributor or visit our website [www.airflowinstruments.co.uk](http://www.airflowinstruments.co.uk) for more detailed information.