

## Pilot-Duty Relay Installation

Application Note LC-134

Several TSI Laboratory and Hospital Control/Monitor devices utilize key switch model **8694-7** (negative/neutral) or **8694-8** (positive/neutral) to change the device operating mode. In order for a third party to monitor the key switch position without disrupting the key switch connection to the TSI device, installation of a pilot duty relay is necessary. A pilot duty relay will isolate the TSI system from the third party monitoring system.

TSI recommends using the **RIB21CDC** pilot duty relay from Functional Devices, Inc:

**Functional Devices, Inc.**  
 (765) 883-5538  
[www.functionaldevices.com](http://www.functionaldevices.com)

Figure 1 below shows the wiring diagram for connecting a **RIB21CDC** pilot duty relay to an **8694-7** key switch.

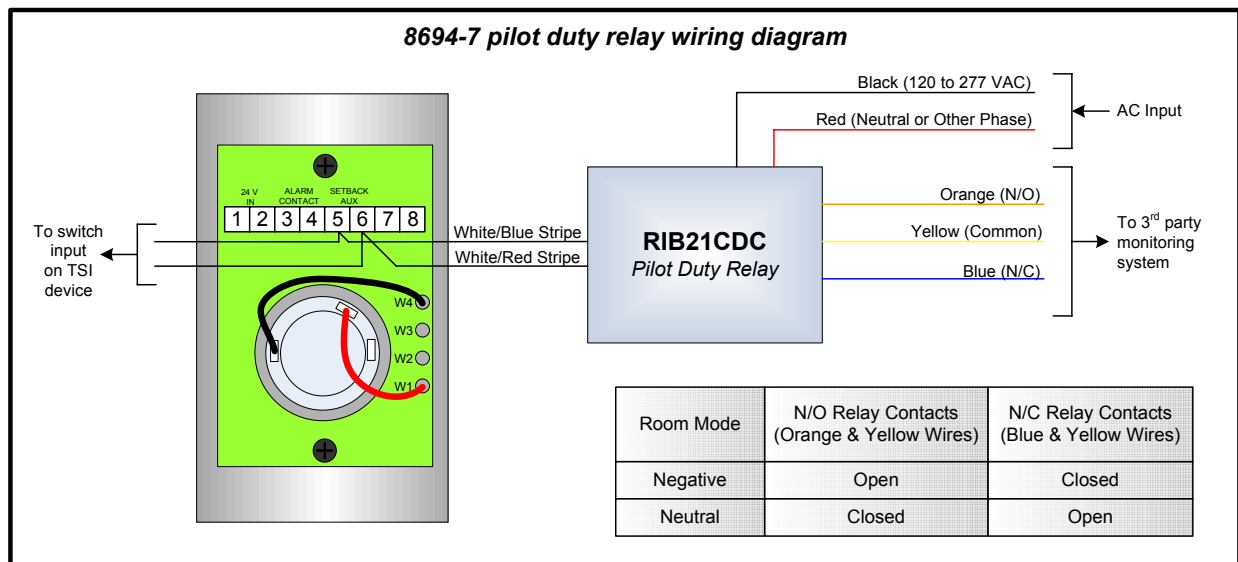


Fig. 1



To connect a **RIB21CDC** pilot duty relay to an **8694-7** key switch, the dry-contact input wires (white/blue stripe and white/red stripe) on the relay connect to terminals 5 and 6 on the back of the key switch, in parallel with the connection to the switch input on the back of the TSI device.

Figure 2 below shows the wiring diagram for connecting a **RIB21CDC** pilot duty relay to an **8694-8** key switch.

To connect a **RIB21CDC** pilot duty relay to an **8694-8** key switch, the dry-contact input wires (white/blue stripe and white/red stripe) on the relay will need to be spliced with the key switch wires as shown.

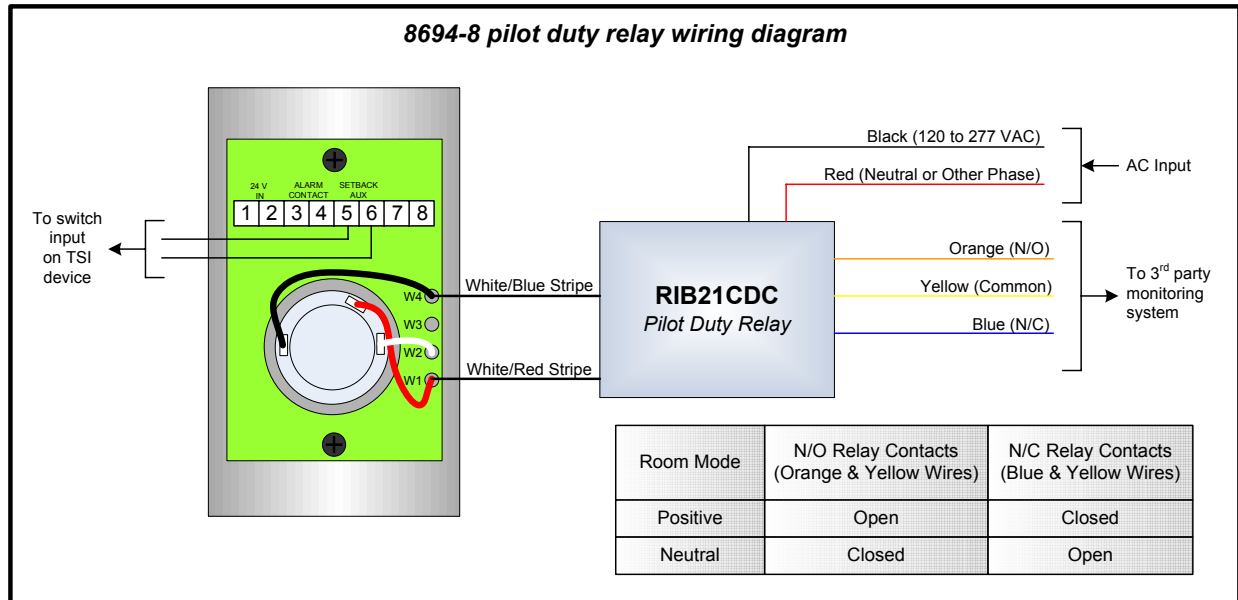


Fig. 2

**TSI Incorporated** – 500 Cardigan Road, Shoreview, MN 55126 U.S.A

<b>USA</b>	Tel: +1 800 874 2811	E-mail: <a href="mailto:answers@tsi.com">answers@tsi.com</a>	Website: <a href="http://www.tsi.com">www.tsi.com</a>
<b>UK</b>	Tel: +44 149 4 459200	E-mail: <a href="mailto:tsiuk@tsi.com">tsiuk@tsi.com</a>	Website: <a href="http://www.tsiinc.co.uk">www.tsiinc.co.uk</a>
<b>France</b>	Tel: +33 491 11 87 64	E-mail: <a href="mailto:tsifrance@tsi.com">tsifrance@tsi.com</a>	Website: <a href="http://www.tsiinc.fr">www.tsiinc.fr</a>
<b>Germany</b>	Tel: +49 241 523030	E-mail: <a href="mailto:tsigmbh@tsi.com">tsigmbh@tsi.com</a>	Website: <a href="http://www.tsiinc.de">www.tsiinc.de</a>
<b>India</b>	Tel: +91 80 41132470	E-mail: <a href="mailto:tsi-india@tsi.com">tsi-india@tsi.com</a>	
<b>China</b>	Tel: +86 10 8260 1595	E-mail: <a href="mailto:tsibeijing@tsi.com">tsibeijing@tsi.com</a>	
<b>Singapore</b>	Tel: +65 6595 6388	E-mail: <a href="mailto:tsi-singapore@tsi.com">tsi-singapore@tsi.com</a>	



Contact your local TSI Distributor or visit our website [www.tsi.com](http://www.tsi.com) for more detailed specifications.



TRUST. SCIENCE. INNOVATION.