

# EL-VAV-45 EL-VAV-90 VAV BOX UNIVERSAL MOUNTING KIT INSTALLATION INSTRUCTIONS

These installation instructions cover mounting a TSI electric actuator to a VAV box or a slip fit rectangular damper. These instructions only cover mounting the actuator.

**WARNING:** The VAV mounting kit can only be mounted to dampers that rotate either 45 or 90 degrees. An El-VAV-45 must be installed on a 45 degree VAV box or damper. An El-VAV-90 must be installed on a 90 degree VAV box or damper.

## COMPONENT LIST

Qty	Part Number	Description
1	800149	Electric Actuator with Anti-Rotation Strap

## ELECTRIC ACTUATOR INSTALLATION

The EL-VAV kit is ready for mounting as shipped. The installation is fairly quick if there are no obstructions in the damper (typically screws).

**Note:** The damper or VAV box must have a 1/2 inch diameter shaft.

The damper shaft must be at least 2 1/2 (2.5") inches long.

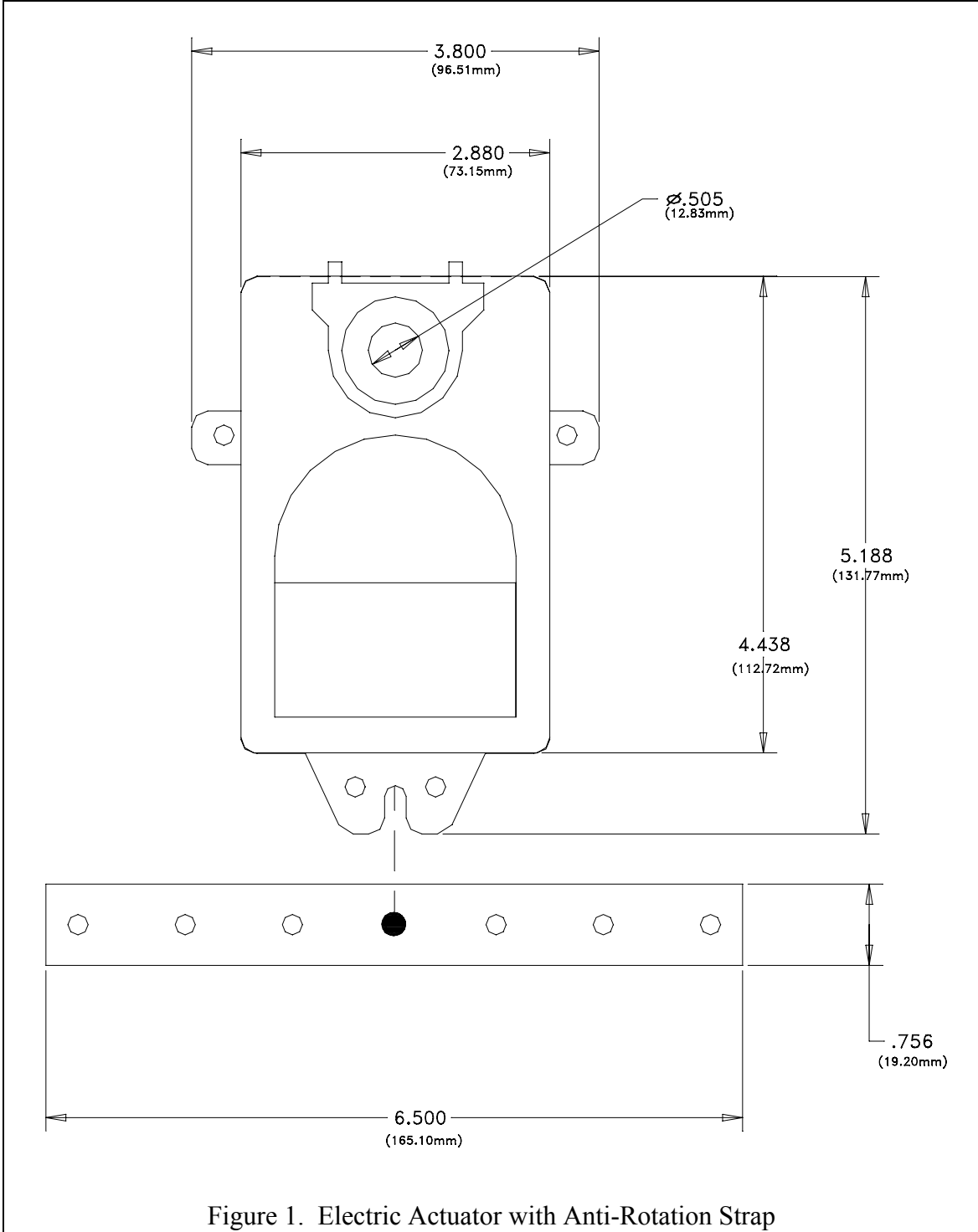
Rotate the damper clockwise open, then counterclockwise closed to confirm it fully rotates.

Slide the electric actuator coupler onto the damper shaft, until actuator sits flush on VAV box.

Tighten the nuts on the U-bolt.

Slide the anti-rotation strap under the actuator. The post on the anti-rotation strap must engage the slot at the base of the actuator. (Figure 1.)

Screw the anti-rotation strap to the VAV box or ductwork.



This concludes the installation of the VAV mounting kit. If you need assistance on installing the controller, see the appropriate Controller Installation Instructions. If you need further assistance installing the VAV mounting kit please contact your local representative or TSI at 1-800-777-8356.

Part number 1980208b  
 March 2002