

MODEL 8691-2

FUME HOOD SENSOR AVERAGING VENTING KIT

INSTALLATION INSTRUCTIONS

This Sensor Averaging Venting Kit can be installed with all TSI Fume Hood Face Velocity Controllers and Face Velocity Monitors.

PREINSTALLATION

Installation will be substantially easier if the side wall of the fume hood can be removed prior to Sensor Venting Kit installation. If the side wall cannot be removed, there is usually an access panel inside the fume hood that needs to be removed. This should allow enough room to maneuver the tubing.

Parts List - (FIGURE 1)

- 1 - T fitting
- 2 - Mounting Plate
- 2 - Mounting Flange
- 20 Ft. - 1-1/4" ID Tubing
(may be on a larger spool)
- 1 - Sensor Assembly
- 4 - Hose Clamps

INSTALLATION

Step 1: Select location of SENSOR ASSEMBLY, typically laying on top of the fume hood (FIGURE 4). SENSOR ASSEMBLY must be located to reference room air, within 15 ft of the controller. If using an existing velocity sensor, see back of this sheet for sensor assembly.

Step 2: Determine MOUNTING FLANGE location. Use FIGURE 2 as a guide.

Step 1: Drill 2-1/4" hole through the fume hood liner at this location.

Step 2: Mount the MOUNTING FLANGE to the MOUNTING PLATE using 2 #8-32x5/8 inch screws (FIGURE 3).

Step 3: Cut tubing to fit between the MOUNTING FLANGE and the T FITTING. Slide 2 hose clamps onto tubing. Remove the T FITTING and insert one end of tubing onto the T FITTING. Push other end of tubing onto mounting flange. Secure tubing by tightening hose clamps.

Step 4: Repeat Step 2 through Step 5 on the other side of the hood.

WARNING: Both sides of tubing must be of equal length. (FIGURE 4).

Step 5: Loosely push T FITTING onto the SENSOR ASSEMBLY.

This concludes the installation of the Fume Hood Sensor Venting Kit. If you have questions, please call TSI at (651) 490-2888.

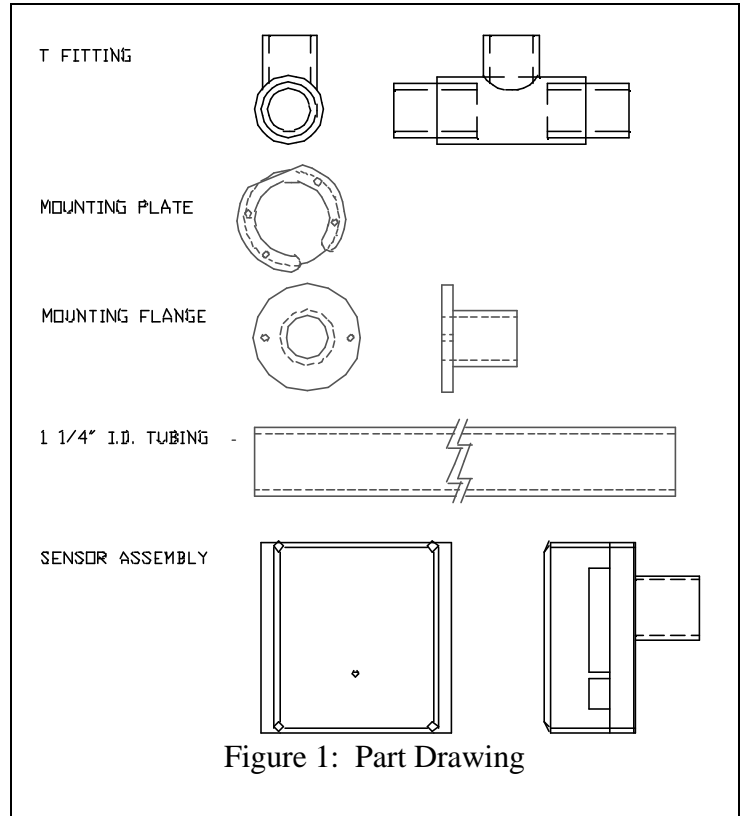


Figure 1: Part Drawing

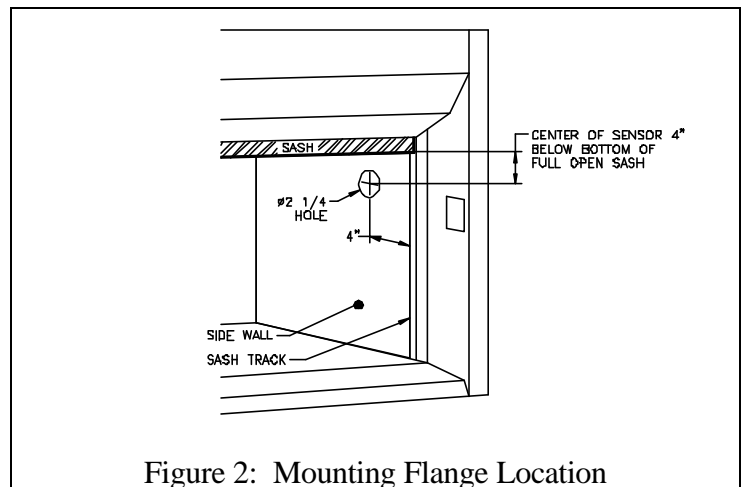


Figure 2: Mounting Flange Location

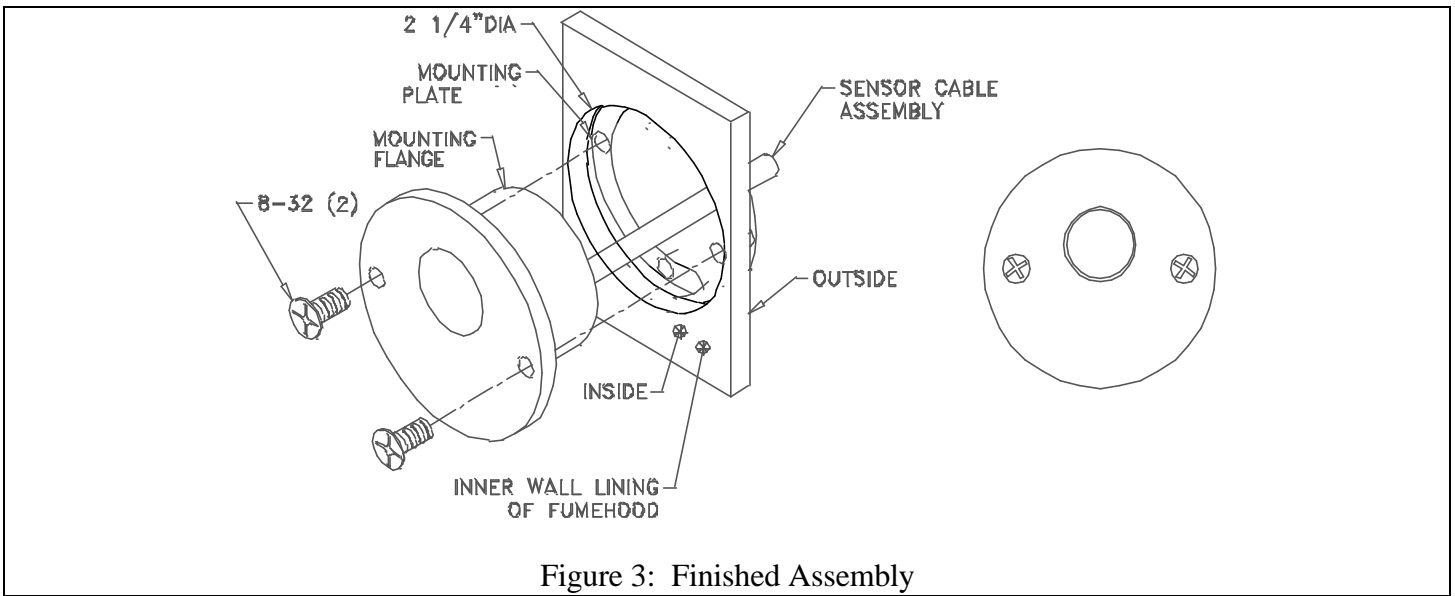


Figure 3: Finished Assembly

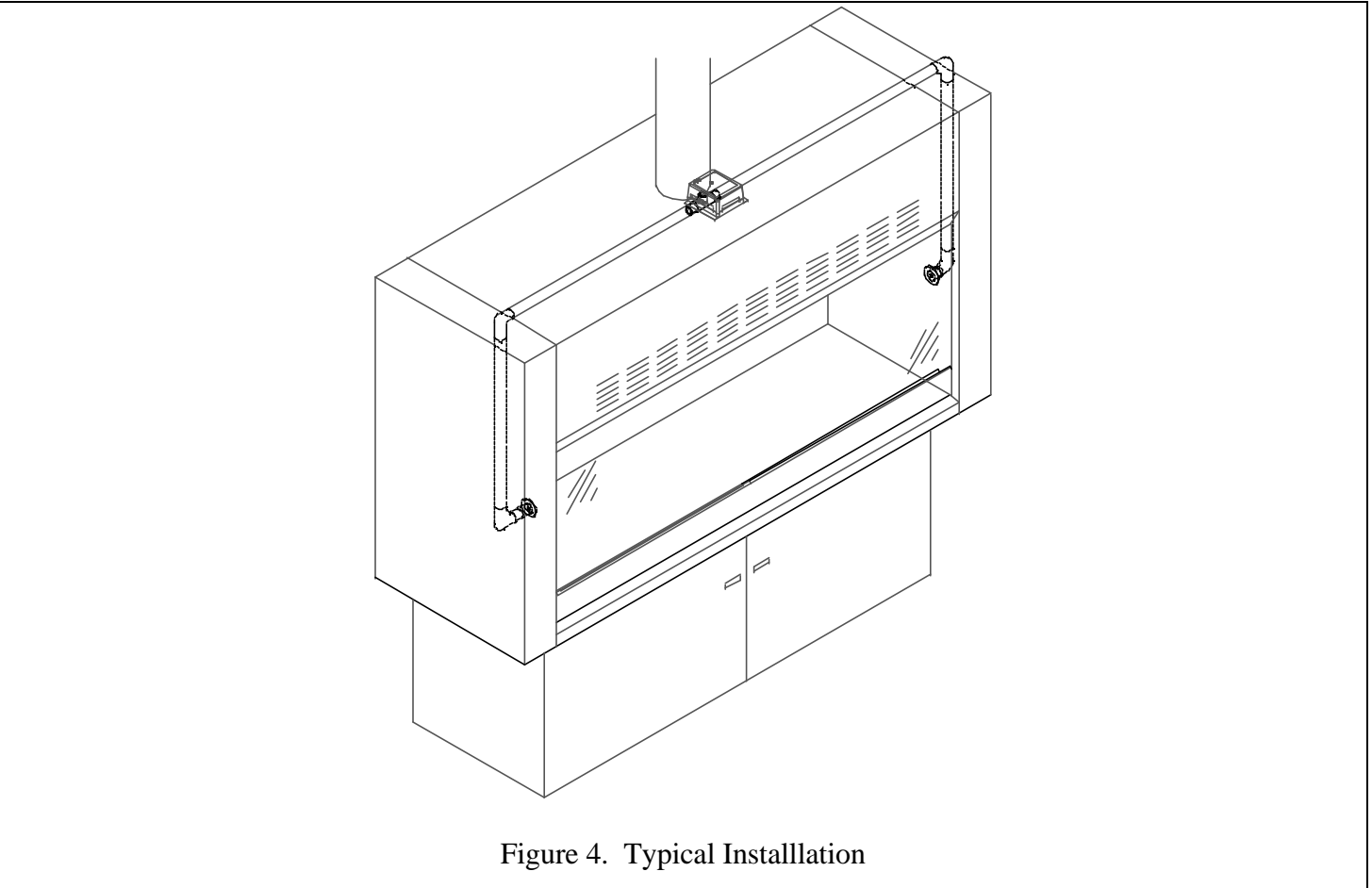


Figure 4. Typical Installation

SENSOR ASSEMBLY

If the Averaging Fume Hood Vent Kit is added to an existing fume hood controller, then the sensor assembly must be assembled.

Step 1: Open the Sensor Assembly Box, and screw the Sensor in.

Step 2: Close the Sensor Assembly Box. Screw the box together, using the #4-40 screw provided.