

PRESURA™ Model 8630-PM Room Pressure Monitor

Description

The Model 8630-PM PRESURA Room Pressure Monitor is an excellent hospital isolation room pressure monitor.

A stand-alone monitor, the Model 8630-PM measures the actual room pressure differential using TSI's unique, bi-directional pressure sensor. If the pressure differential is too great, too small, or the wrong direction, the Model 8630-PM will activate audible and visual alarms.

The Model 8630-PM features adjustable alarm delays to avoid nuisance alarms. When the room is unoccupied, the Model 8630-PM can be changed to no isolation mode, de-activating all alarms.

The Model 8630-PM easily integrates to the building management system using a low alarm relay, an analog output of the measured pressure differential, or digital communications. The Model 8630-PM supports the open MODBUS protocol.



Features

- Meets CDC Guidelines for Preventing the Transmission of Mycobacterium Tuberculosis in Health-Care Facilities, 1994
- Stand-alone room pressure monitor verifies system operation
- Direct pressure measurement provides continuous monitoring
- Audible and visual alarms warn staff of unsafe conditions
- Convenient keypad and display support local programming
- Passwords prevent unauthorized access to controller functions

Selection Chart

| | 8630-PM | 8630-PM-AG | 8630-PM-N2 |
|---|---------|------------|------------|
| Positive, Negative and No Isolation Modes | • | • | • |
| Key switch Input | • | • | • |
| Second Sensor Input | • | • | • |
| Low Alarm Contact | • | • | • |
| Flow Input | • | • | • |
| Low Flow Alarm | • | • | • |
| Analog Pressure Output | • | • | • |
| MODBUS & Cimetrics Communications | • | • | |
| N2 Communications | | | • |
| Secondary Door Alarm Delay | | • | |

Items Included

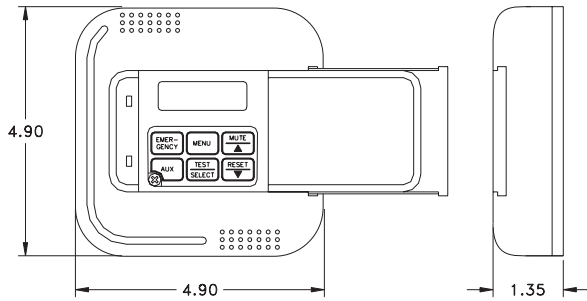
Digital interface module
Through-the-wall pressure sensor
Sensor cable, 25 ft
Transformer, 120:24 VAC, 25 VA
Transformer cable, 25 ft

Hardware Options

Remote audible alarm
Positive/negative/no isolation key switch
Supply/exhaust flow station

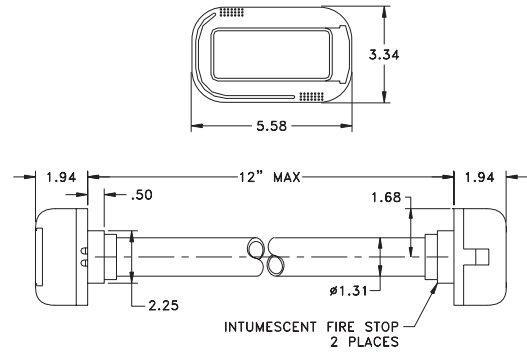
Digital Interface Module Specifications

| | |
|--|--|
| Display Range | -0.20000 to +0.20000 in. H ₂ O |
| Low Alarm Range | -0.19500 to +0.19500 in. H ₂ O |
| High Alarm Range | -0.19500 to +0.19500 in. H ₂ O |
| Low Alarm Contacts | SPST (NO) Max current 5A, max voltage 150VDC, 250VAC Min switch load 10 mA, 5VDC |
| User Configurable Analog Output | Signal: 0 to 10V or 4 to 20 mA Range: -0.100 to +0.100 in. H ₂ O or -0.0100 to +0.0100 in. H ₂ O |
| Operating Temperature | 32 to 120°F |
| Input Power | 24VAC, 5 W max |
| Weight | 0.7 lb |



Sensor Specifications

| | |
|--------------------------|--|
| Range | -0.20000 to +0.20000 in. H ₂ O |
| Accuracy | ±10% of reading ±0.00001 in. H ₂ O |
| Resolution | 5% of reading |
| Temp. Comp. Range | 55 to 95°F |
| Power Dissipation | 0.16 W at 0 in. H ₂ O 0.20 W at 0.00100 in. H ₂ O |
| Weight | 0.2 lb |



Specifications subject to change without notice.



TSI Incorporated
500 Cardigan Road
P.O. Box 64394
St. Paul, MN 55164 U.S.A.
Tel: 651 490 2711
800 777 8356
Fax: 651 490 2874
E-mail: answers@tsi.com