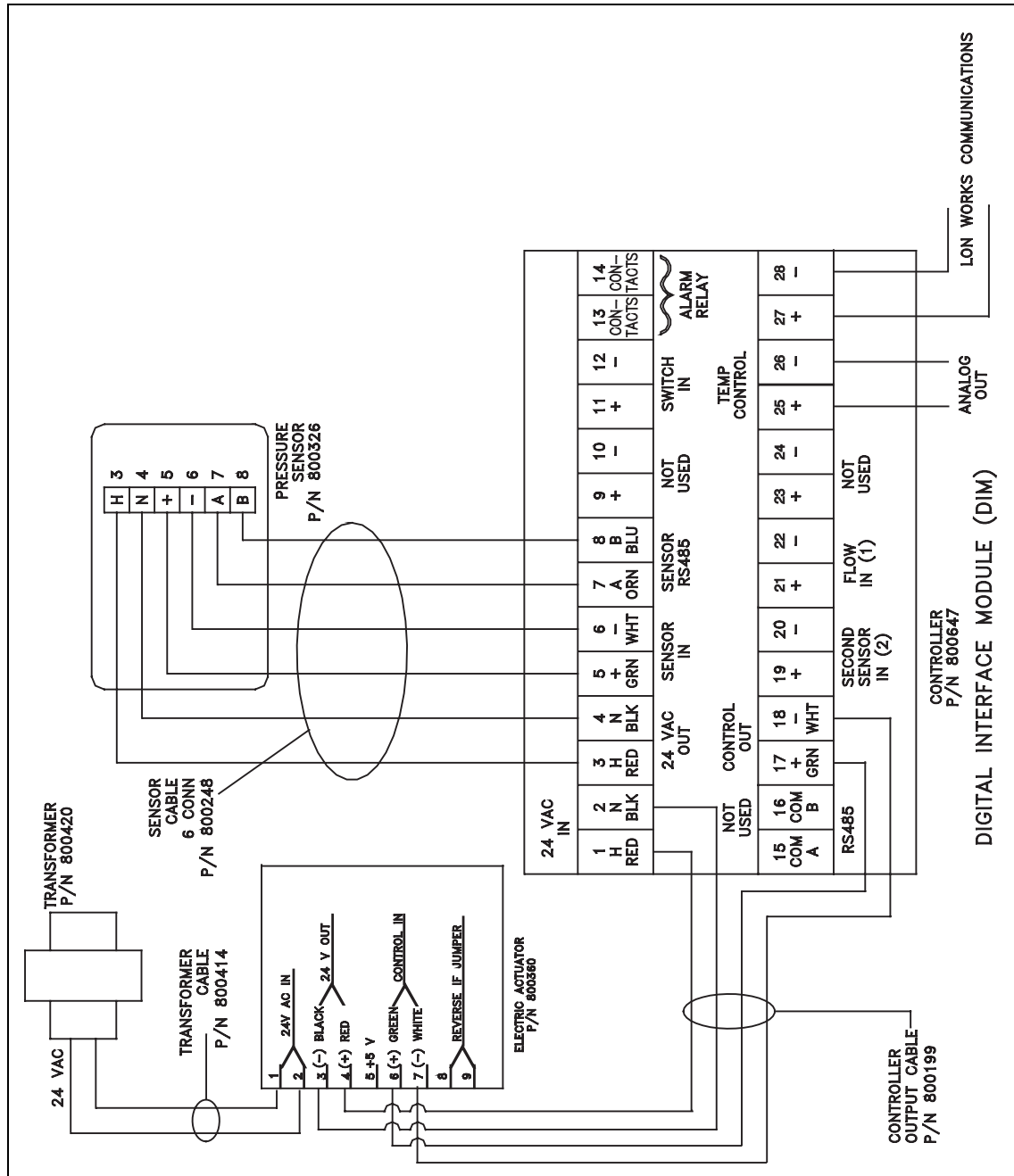
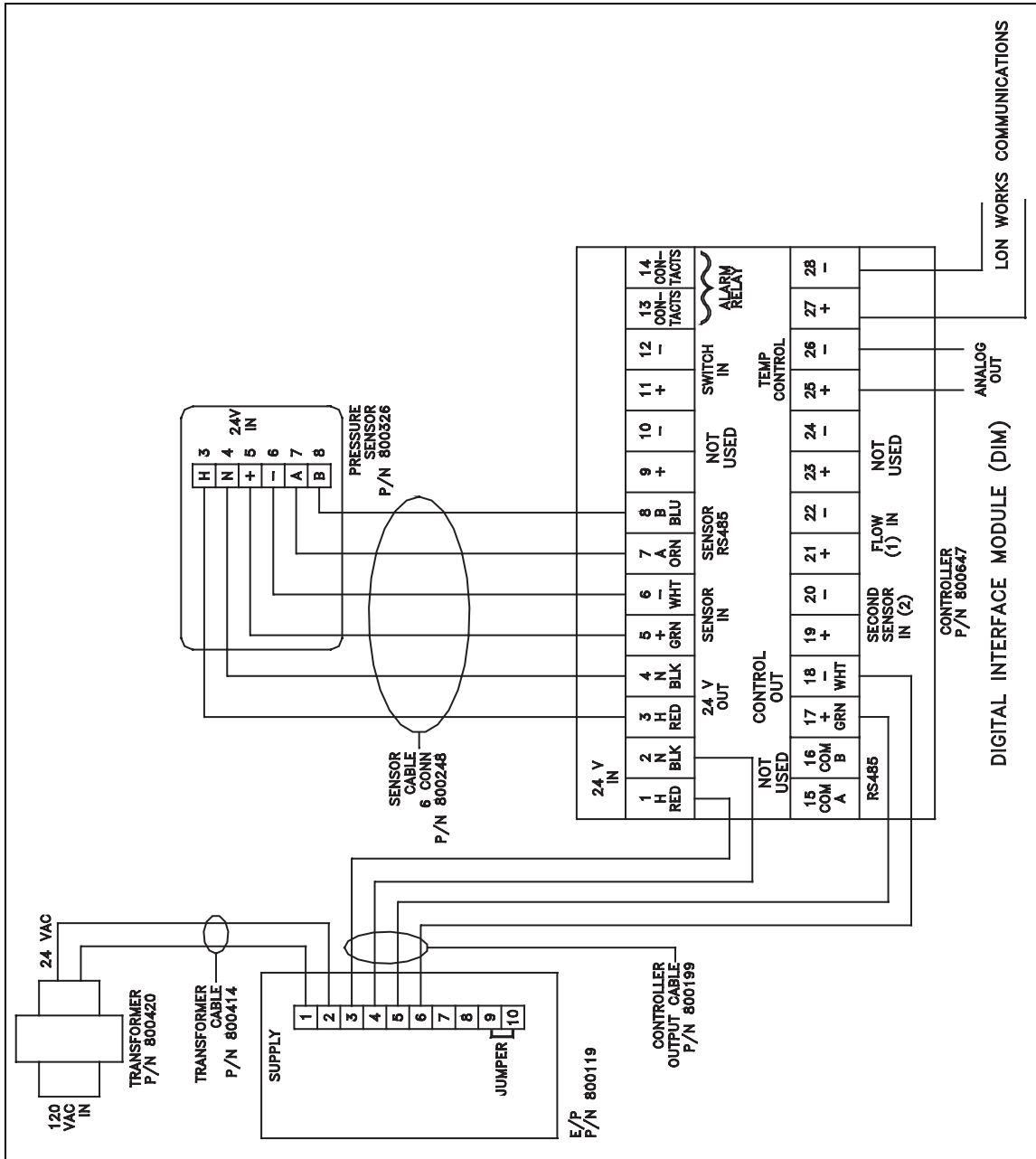


## PRESSURA™ Model 8631-HC Health Care Controller

### Wiring Diagram—Electric Actuator



# Wiring Diagram—Pneumatic Actuator



**TSI Incorporated**  
 500 Cardigan Road  
 Shoreview, MN 55126 U.S.A.  
 Tel: 651 490 2811  
 800 874 2811  
 Fax: 651 490 3824  
 E-mail: answers@tsi.com