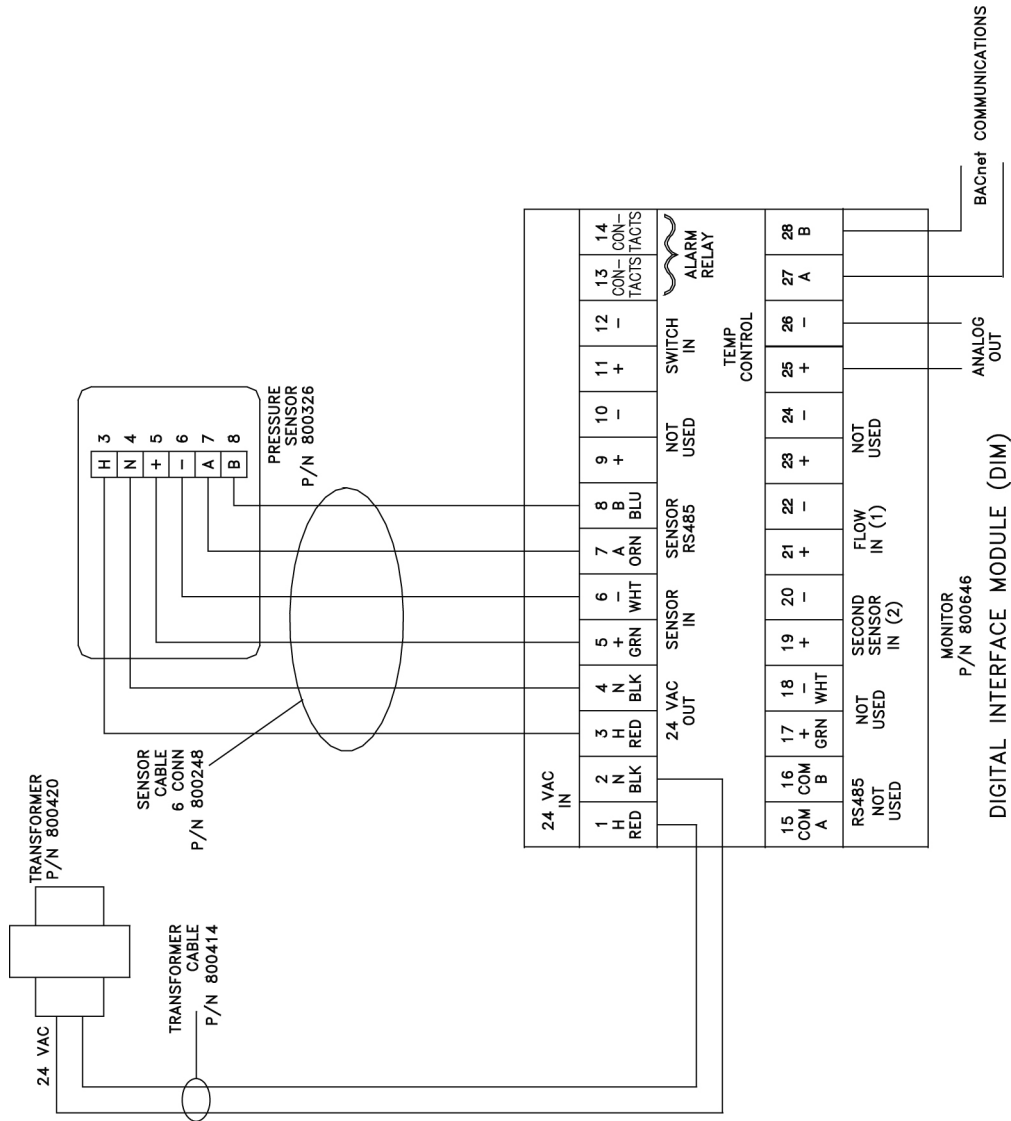


PRESURA™ Model 8631-HM-BAC

Health Care Monitor
Wiring Diagram





TSI Incorporated
500 Cardigan Road
Shoreview, MN 55126 U.S.A.
Tel: 651 490 2811
800 874 2811
Fax: 651 490 3824
E-mail: answers@tsi.com