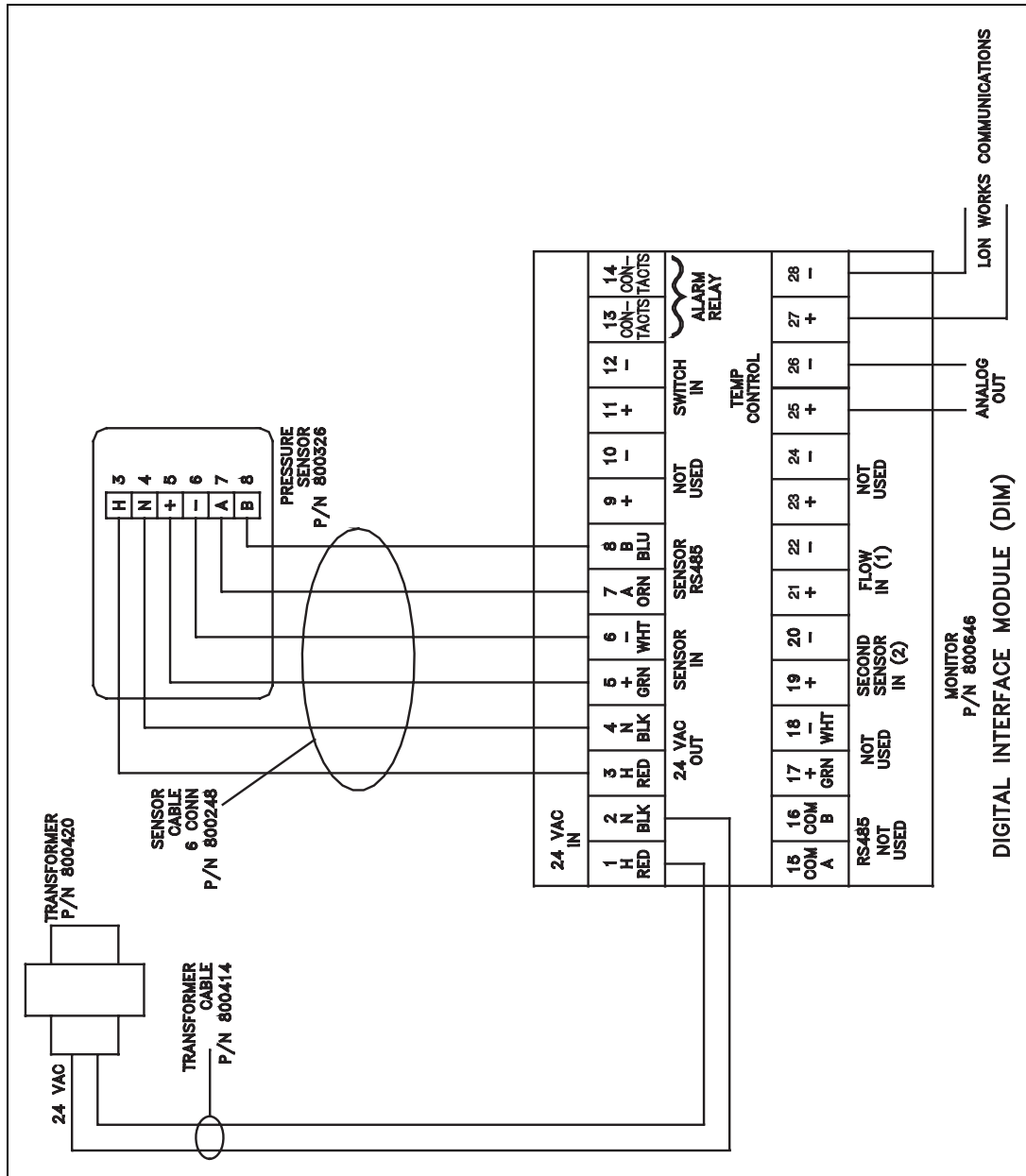


## PRESSURA™ Model 8631-HM Health Care Monitor

### Wiring Diagram





**TSI Incorporated**

500 Cardigan Road  
Shoreview, MN 55126 U.S.A.

Tel: 651 490 2811  
800 874 2811

Fax: 651 490 3824

E-mail: [answers@tsi.com](mailto:answers@tsi.com)