

SUREFLOW™ Model 8635-M Room Pressure Monitor

Description

The Model 8635-M SUREFLOW Room Pressure Monitor is an ideal digital monitor for laboratories.

A stand-alone monitor, the Model 8635-M measures the actual room pressure differential and alarms if the differential is too great or too small. It features alarm delays and a door switch input to minimize alarms when the door is open. When using the optional flow measurement, the 8635-M will also alarm on minimum flow volumes for ventilation (Air Changes Per Hour).

The 8635-M easily integrates to the building management system using alarm relays, an analog output, or digital communications. The Model 8635-M supports the open MODBUS protocol.



Features

- Stand-alone pressure monitor verifies system operation
- Direct pressure measurement provides continuous monitoring
- Audible and visual alarms warn staff if corrective action needed
- Network communications allow for building-wide control efficiencies
- Convenient keypad and display support local programming
- Passwords prevent unauthorized access to monitor functions

Selection Chart

	8635-M	8635-M-N2
High Alarm Contact	•	•
Low Alarm Contact	•	•
Flowstation Input	•	•
Door/Setback Input	•	•
Analog Pressure Output	•	•
MODBUS & Cimetrics Communications	•	
N2 communications		•

Items Included

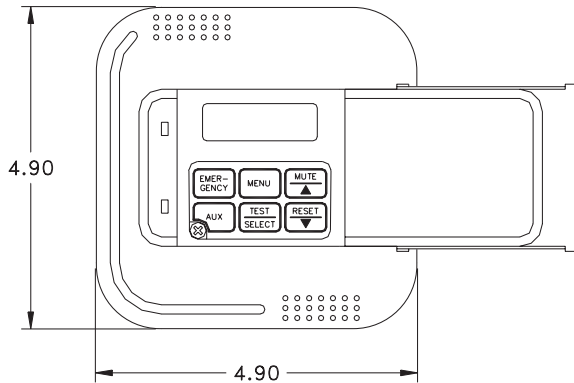
Digital interface module
Through-the-wall pressure sensor
Transformer, 120:24 VAC, 25 VA
Transformer cable, 25 ft

Hardware Options

Supply or exhaust flowstation
Door switch

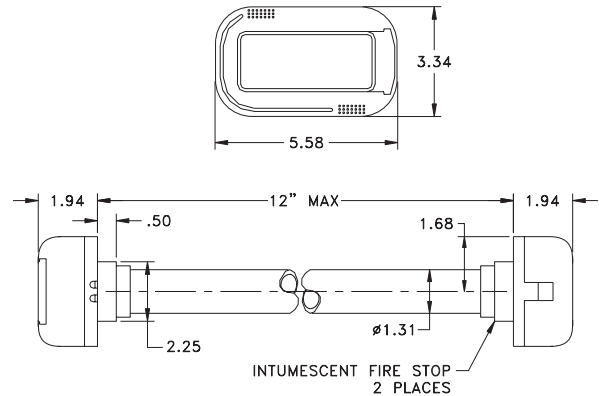
Digital Interface Module Specifications

Display Range	-0.20000 to +0.20000 in. H ₂ O
Low Alarm Range	-0.19500 to +0.19500 in. H ₂ O
High Alarm Range	-0.19500 to +0.19500 in. H ₂ O
Alarm Contacts	SPST (NO) Max current 5A, max voltage 150VDC, 250VAC Min switch load 10 mA, 5VDC
User Configurable Analog Output	Signal: 0 to 10V or 4 to 20 mA Range: -0.100 to +0.100 in. H ₂ O or -0.010 to +0.010 in. H ₂ O
Operating Temperature	32 to 120°F
Input Power	24VAC, 5 W max
Size (HxWxD)	4.90 in. x 4.90 in. x 1.35 in.
Weight	0.7 lb



Sensor Specifications

Range	-0.20000 to +0.20000 in. H ₂ O
Accuracy	±10% of reading ±0.00001 in. H ₂ O
Resolution	5% of reading
Temp. Comp. Range	55 to 95°F
Power Dissipation	0.16 W at 0 in. H ₂ O 0.20 W at 0.00100 in. H ₂ O
Size (HxWxD)	3.34 in. x 5.58 in. x 1.94 in.
Weight	0.2 lb



Specifications subject to change without notice.



TSI Incorporated
500 Cardigan Road
P.O. Box 64394
St. Paul, MN 55164 U.S.A.
Tel: 651 490 2711
800 777 8356
Fax: 651 490 2874
E-mail: answers@tsi.com