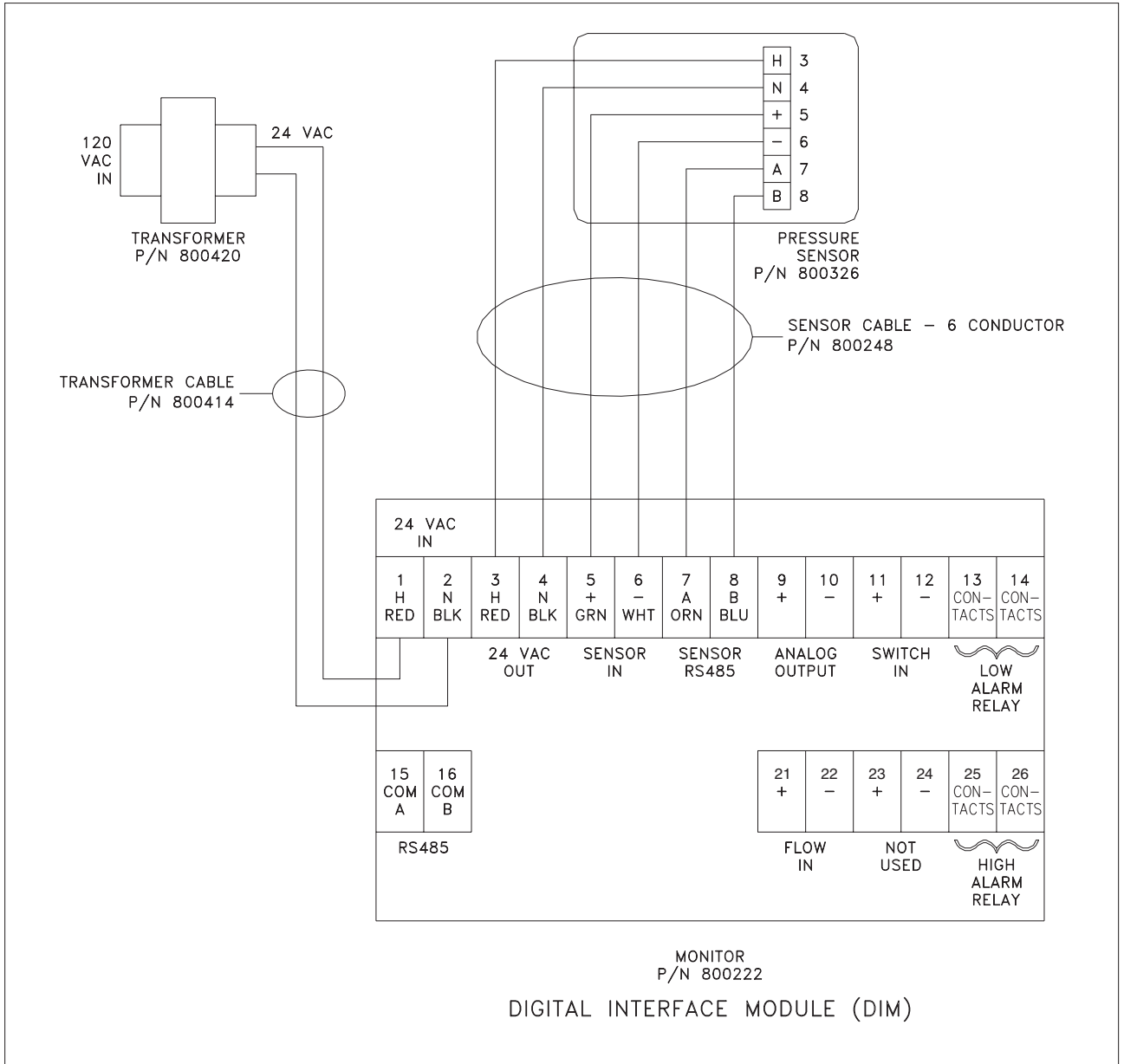


## SUREFLOW™ Model 8635-M Room Pressure Monitor

### Wiring Diagram



**TSI**

**TSI Incorporated**

500 Cardigan Road

P.O. Box 64394

St. Paul, MN 55164 U.S.A.

Tel: 651 490 2711

800 777 8356

Fax: 651 490 2874

E-mail: [answers@tsi.com](mailto:answers@tsi.com)