

SUREFLOW™ Model 8636 Room Pressure Controller

Description

The Model 8636 SUREFLOW room pressure controller is an excellent digital room controller for laboratories with hoods. A stand-alone device, the Model 8636 modulates the supply and general exhaust dampers in conjunction with the reheat valve to maintain pressurization, ventilation and comfort.

The Model 8636 easily integrates to the building management system, using digital communications, such as LonWorks® or Modbus®, and alarm relays.



Features

- Stand-alone room control provides system reliability
- Direct pressure measurement provides continuous, closed-loop control
- Audible and visual alarms warn staff of potentially unsafe conditions
- Network communications allow for building-wide control efficiencies
- Convenient integral keypad and display support local programming
- Passwords protect unauthorized access to controller functions

Selection Chart

	8636	8636-N2	8636-LN	8636-BAC
Controls Supply and General Exhaust for Room Pressure Differential	•	•	•	•
Controls Reheat and Supply for Temperature	•	•	•	•
Unoccupied Mode Reduces Supply Volume	•	•	•	•
Open Door Mode	•	•	•	•
Controls Dampers	•	•	•	•
Controls Venturi Valves	•	•	•	•
Relay Output for Pressure Alarm	•	•	•	•
Modbus Communications	•			
Johnson Controls' N2 Communications		•		
LonWorks Communications			•	
BACnet MSTP Communications				•

Items Included

Digital interface module
Through-the-wall pressure sensor
Controller output cable, 25 ft
Transformer, 120:24 VAC, 25 VA
Transformer cable, 25 ft

Hardware Options

Electric actuator/damper assembly
Pneumatic actuator/damper assembly
Electric actuator/venturi valve assembly
Flowstation
1000 Ω platinum RTD temperature sensor
Remote alarms

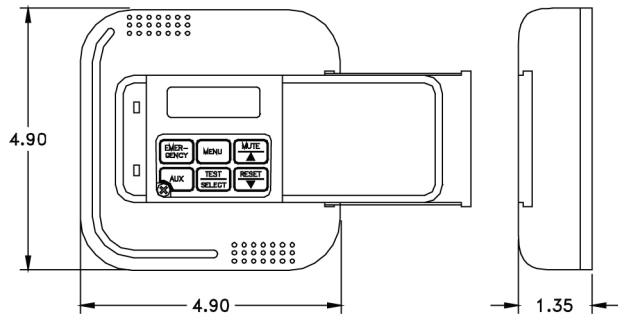
BACnet is a trademark of ASHRAE.

®LonWorks® is a registered trademark of Echelon® Corporation.

®Modbus® is a registered trademark of Modicon, Inc.

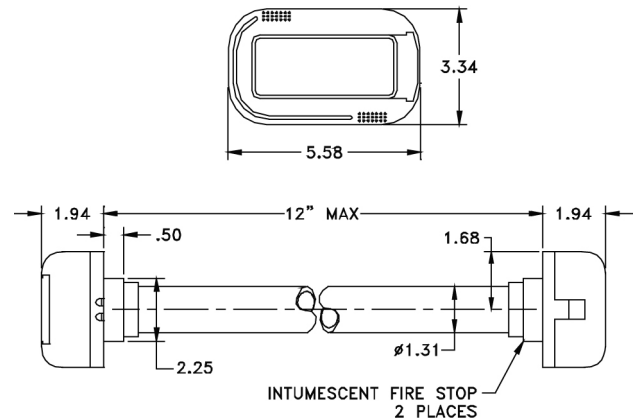
Digital Interface Module Specifications

Display Range	-0.20000 to +0.2000 in. H ₂ O
Low Alarm Range	-0.19500 to +0.19500 in. H ₂ O
High Alarm Range	-0.19500 to +0.19500 in. H ₂ O
Alarm Contacts	SPST (NO) Max Current 5A Max voltage 150 VDC, 250 VAC Min switch load 10 mA, 5DC
Flow Inputs	(2) 0–10 VDC Supply Flow (1) 0–10 VDC Supply Flow (8636-LN)
Temperature Input	1000 Ω platinum RTD
Control Outputs	0–10 VDC Supply, General Exhaust, Reheat
Operating Temperature	32 to 120°F
Input Power	24 VAC, 5W max
Size (HxWxD)	4.90 in. x 4.90 in. x 1.35 in.
Weight	0.7 lb



Sensor Specifications

Range	-0.20000 to +0.2000 in. H ₂ O
Accuracy	10% of reading ±0.00001 in H ₂ O
Resolution	5% of reading
Temp. Comp. Range	55 to 95°F
Power Dissipation	0.16 W at 0 in. H ₂ O 0.20 W at 0.00100 in. H ₂ O
Size (HxWxD)	3.34 in. x 5.58 in. x 1.94 in.
Weight	0.2 lb



Specifications subject to change without notice.



TSI Incorporated
500 Cardigan Road
Shoreview, MN 55126 U.S.A.
Tel: 651 490 2811
800 874 2811
Fax: 651 490 3824
E-mail: answers@tsi.com