

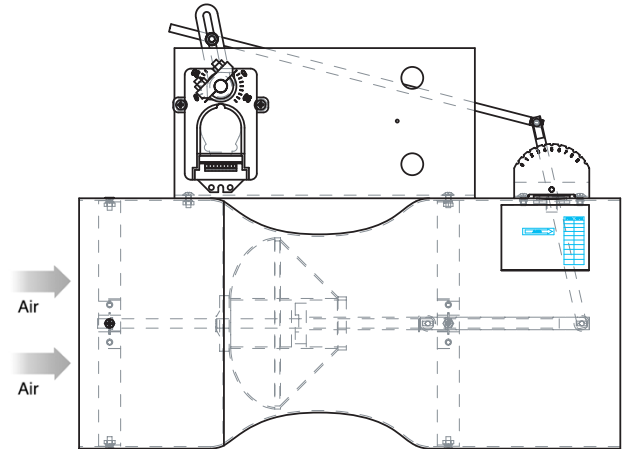
Variable Volume Venturi Valves Model VAV

Description

Model VAV Venturi Valves are airflow variable volume control air valves. They are designed to maintain a constant flow rate in the face of changing duct static pressures at a given shaft position.

The Venturi Valve consists of a cone inside the valve body. A spring automatically positions the cone on the valve shaft to achieve pressure independence. VAV Venturi Valves have an equal-percentage characteristic over the full range of their specified flow rate. A mechanical valve dial permits direct reading of air volume allowing the flow to easily be reset if future requirements change.

Venturi Valves must be ordered according to the desired flow rate and pressure drop across the valve.



Valve Size	CFM Minimum / Maximum			Dimensions	
	Low 0.3 to 3.0 in. H ₂ O	Medium 0.6 to 3.0 in. H ₂ O	HIGH 1.0 to 6.0 in. H ₂ O	O.D. (in.)	L. (in.)
5	20 - 150	30 - 175	45 - 275	4 ¹⁵ / ₁₆	14 ¹ / ₄
6	35 - 250	50 - 300	55 - 400	5 ¹⁵ / ₁₆	16 ⁵ / ₈
8	50 - 400	60 - 500	85 - 700	7 ⁷ / ₈	19 ¹ / ₂
10	40 - 700	60 - 900	90 - 1200	9 ⁷ / ₈	21 ¹ / ₂
12	190 - 1200	200 - 1400	230 - 1750	11 ⁷ / ₈	24
210	80 - 1400	120 - 1800	180 - 2400	22 ¹ / ₄ × 11 ¹ / ₄	21 ³ / ₄
212	380 - 2400	400 - 2800	460 - 3500	26 ¹ / ₄ × 13 ¹ / ₄	24 ¹ / ₄
312	570 - 3600	600 - 4200	690 - 5250	39 ¹ / ₄ × 13 ¹ / ₄	24 ¹ / ₄
412	760 - 4800	800 - 5600	920 - 7000	Shipped as (2) 212 valves	

The Valve No. identifies standard sizes by their nominal diameters of 5, 6, 8, 10 and 12 inches. The Valve No. identifies modular units by the number of ganged valves and the nominal diameter of the valves. For example, a VAV-212 has two 12 in. valves packaged together at the factory. Sizing a unit at approximately 75% of maximum volume will permit future higher load demands without requiring a new valve. The minimum CFM setting should be as low as possible but not less than the left hand limit of the valve and never higher than 50% of the maximum CFM specified.

Standard Materials

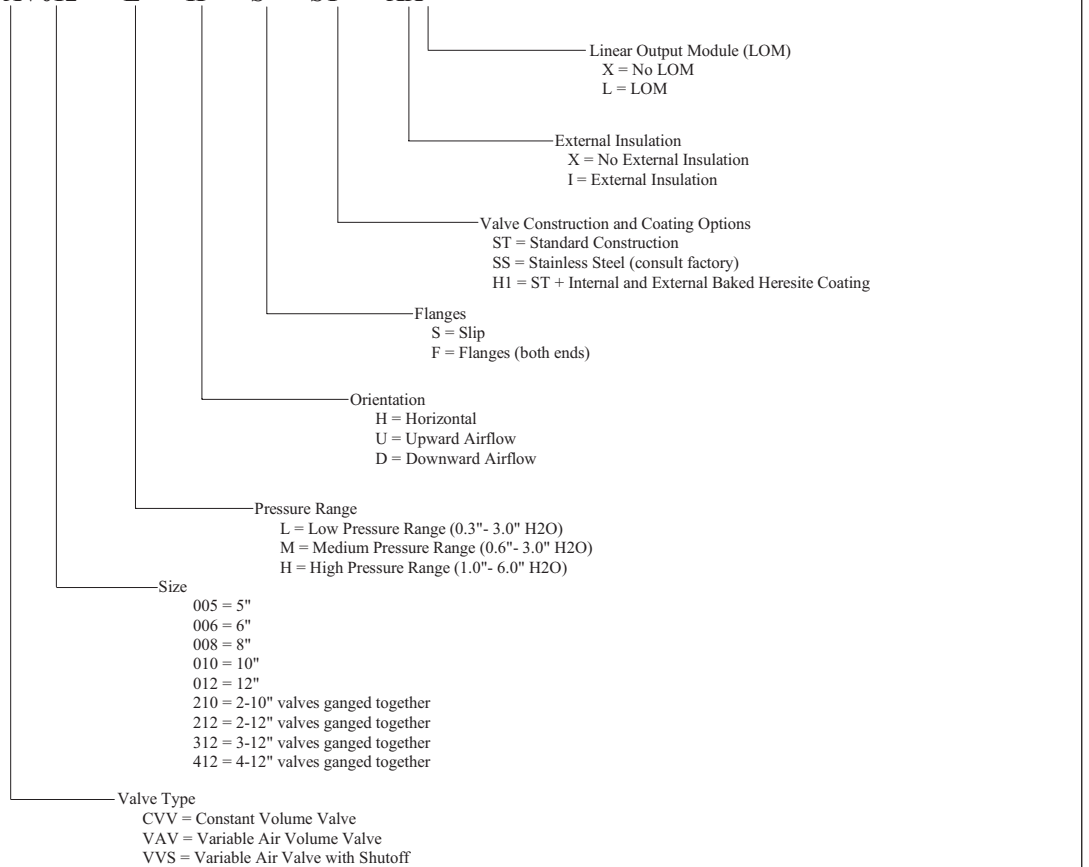
Valve Body	Aluminum
Cone	Aluminum
Spring	Stainless Steel
Valve Shaft	Teflon Coated Stainless Steel
Connecting Links	Stainless Steel
Cone Shaft-Bearing Surfaces	Teflon

Hardware Options

Mounting flanges
Baked Heresite coating, 3-mil.
Acoustic insulation
Linear output module (LOM)

Ordering Information

MODEL# VAV012 - L - H - S - ST - XX



Note: Standard Construction includes:
 - Teflon Coated Stainless Steel Cone Center Rod
 - Stainless Steel Control Rod with Teflon Bushing
 - Stainless Steel Linkage and Brackets



TSI Incorporated
 500 Cardigan Road
 Shoreview, MN 55126 U.S.A.
 Tel: 651 490 2811
 800 874 2811
 Fax: 651 490 3824
 E-mail: answers@tsi.com