

Variable Volume Venturi with Shut-off Valves Model VVS

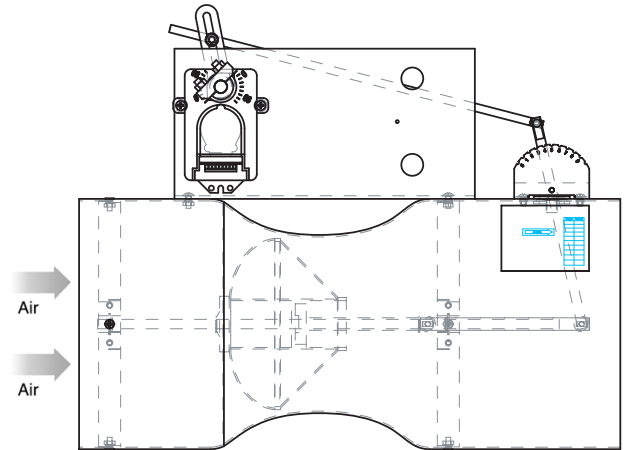
Description

Model VVS Venturi Valves are airflow variable volume control air valves with minimum flow being zero. They are designed to maintain a constant flow rate in the face of changing duct static pressures at a given shaft position.

The Venturi Valve consists of a cone inside the valve body. A spring automatically positions of the cone on the valve shaft to achieve pressure independence. The valves will allow shutoff of the air flow by seating the cone against the valve body in the closed position. VVS Venturi Valves have an equal-percentage characteristic over a range of the specified flow rate.

A mechanical valve dial permits direct reading of air volume allowing the flow to easily be reset if future requirements change.

Venturi Valves must be ordered according to the desired flow rate and pressure drop across the valve.



| Valve Size | CFM Minimum / Maximum | | | Dimensions | |
|------------|---|--|--|---|--------------------------------|
| | Low 0.3 to 3.0 in. H ₂ O | Medium 0.6 to 3.0 in. H ₂ O | HIGH 1.0 to 6.0 in. H ₂ O | O.D. (in.) | L. (in.) |
| 6 | 0 - 250 | 0 - 300 | 0 - 400 | 5 ¹⁵ / ₁₆ | 16 ⁵ / ₈ |
| 8 | 0 - 400 | 0 - 500 | 0 - 700 | 7 ⁷ / ₈ | 19 ¹ / ₂ |
| 10 | 0 - 700 | 0 - 850 | 0 - 1200 | 9 ⁷ / ₈ | 21 ¹ / ₂ |
| 12 | 0 - 1000 | 0 - 1200 | 0 - 1500 | 11 ⁷ / ₈ | 24 |
| 210 | 0 - 1400 | 0 - 1700 | 0 - 2400 | 22 ¹ / ₄ × 11 ¹ / ₄ | 21 ³ / ₄ |
| 212 | 0 - 2000 | 0 - 2400 | 0 - 3000 | 26 ¹ / ₄ × 13 ¹ / ₄ | 24 ¹ / ₄ |
| 312 | 0 - 3000 | 0 - 3600 | 0 - 4500 | 39 ¹ / ₄ × 13 ¹ / ₄ | 24 ¹ / ₄ |
| 412 | 0 - 4000 | 0 - 4800 | 0 - 6000 | Shipped as (2) 212 valves | |

The Valve No. identifies standard sizes by their nominal diameters of 6, 8, 10 and 12 inches. The Valve No. identifies modular units by the number of ganged valves and the nominal diameter of the valves. For example, a VVS-212 has two 12 in. valves packaged together at the factory. Sizing a unit at approximately 75% of maximum volume will permit future higher load demands without requiring a new valve. VVS valves are not pressure independent below 30% of their maximum catalogued capacity.

Standard Materials

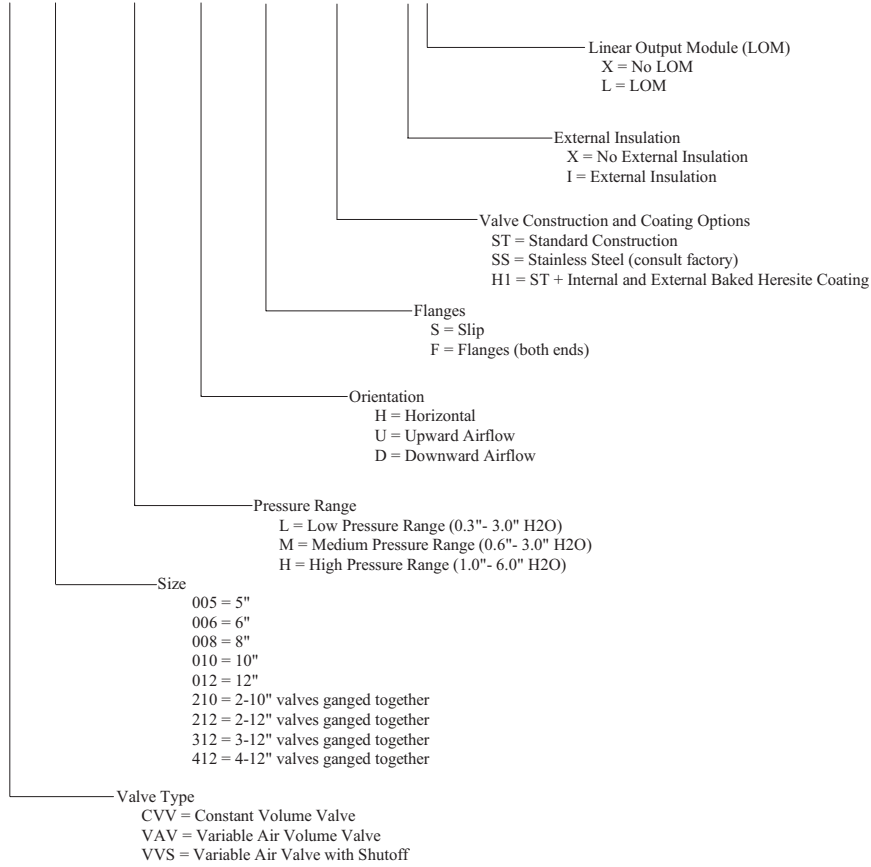
| | |
|-----------------------------|-------------------------------|
| Valve Body | Aluminum |
| Cone | Aluminum |
| Spring | Stainless Steel |
| Valve Shaft | Teflon Coated Stainless Steel |
| Connecting Links | Stainless Steel |
| Cone Shaft-Bearing Surfaces | Teflon |

Hardware Options

- Mounting flanges
- Baked Heresite coating, 3-mil.
- Acoustic insulation
- Linear output module (LOM)

Ordering Information

MODEL# VAV012 - L - H - S - ST - XX



Note: Standard Construction includes:
 - Teflon Coated Stainless Steel Cone Center Rod
 - Stainless Steel Control Rod with Teflon Bushing
 - Stainless Steel Linkage and Brackets



TSI Incorporated
 500 Cardigan Road
 Shoreview, MN 55126 U.S.A.
 Tel: 651 490 2811
 800 874 2811
 Fax: 651 490 3824
 E-mail: answers@tsi.com